

# SB1

## ShowerBuddy

Dignity + Ease + Comfort

ShowerBuddy is an ergonomic shower transfer system designed and engineered in New Zealand. The ShowerBuddy alleviates heavy lifting and unnecessary transfers. It also eliminates slip hazards and costly bathroom remodeling while maintaining the privacy and dignity of the user. This unique system allows for the user to toilet and shower in one easy trip, utilizing only one transfer.

### Product features include:

- 300 lb. weight capacity
- Tapered cushion with tailbone recess
- Rolls over standard / elongated and ADA approved toilets
- Low maintenance
- Removable / lockable / foldaway arms
- Height adjustable
- Safety mechanisms
- Full aluminum frame (Grade 6061 T6)
- Stainless steel hardware (Grade 304)
- 360 degree rotation in shower
- Fold up footrest
- Lap / chest belts
- 5" locking castors
- Commode system
- Tool-less assembly

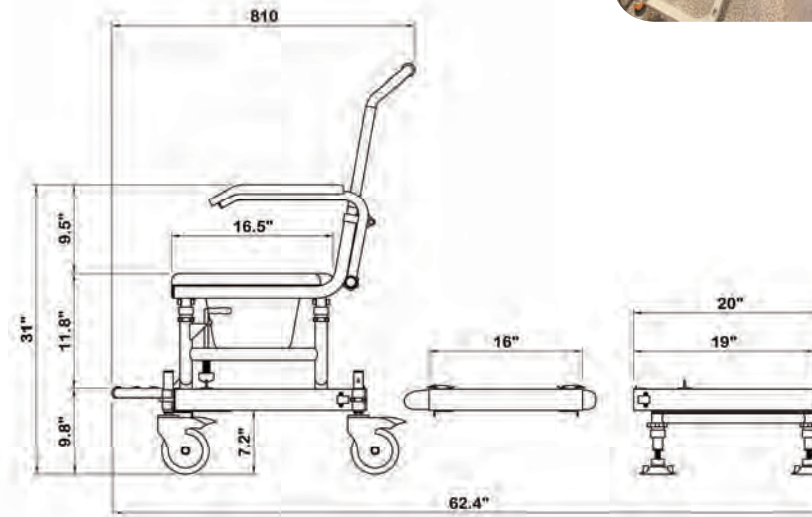
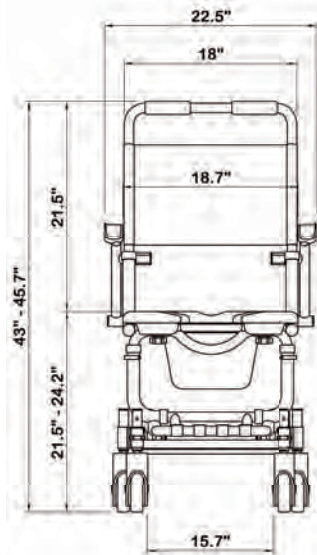


## SB1 ShowerBuddy Dimensions:

- Rolling Base	18.4" W x 22" D
- Rolling Base with Footrest	18.4" W x 26.5" D
- Back Width	18"
- Back Rest Height from Seat	17"
- Max Toilet Height Clearance	21"
- Bridge Length (Standard)	16" (Custom lengths are available)
- Inside Arm to Arm Width	18.7"
- Outside Arm to Arm Width	22.5"
- Seat Dimensions	17.7" W x 16.5" D
- Seat Height from Floor	21.5" - 24.2" (Adjustable)
- Shower Base (Over Suction Cup Feet)	19.2" x 19.2"
- Seat Hole	6.8" W x 13" L

### Accessory items include:

- Solid overlay cushion
- 4" Extension legs (SBE100) (Required when shower base and bathroom floor are level)
- Neck rest (Requires 2 holes to be drilled)



# Product Features

Dignity + Ease + Comfort

Features	SB1	SB2	SB2T	SB3T
	Shower Series	Bath Series		Shower Series
Height Adjustable	Yes	Yes	Yes	Yes
Lowest height (inches)	21.5	22.4	24.8	20
Highest height (inches)	24.2	26.4	28.8	24
Commode + Toilet Chair	Yes	Yes	Yes	Yes
Tilt N Space	No	No	Yes	Yes
Double Locking Struts on Tilt	No	No	Yes	Yes
Transfers into Raised Shower	Yes	*	*	No
Transfers into level Shower	*	*	*	Yes
Rotates in Shower	Yes	No	No	No
Transfers over Bath	No	Yes	Yes	No
5" Locking Castors	Yes	Yes	Yes	Yes
Neck Rest	Accessory	Accessory	Yes	Yes
Double Safety Brakes	Yes	Yes	Yes	N.A
Lap / Chest Belts	Yes	Yes	Yes	Yes
Calf Straps	No	No	Yes	Yes
Soft Tapered Cushion with Tailbone Recess	Yes	Yes	Yes	Yes
Soft Overlay/ Porter Chair Cushion	Accessory	Accessory	Accessory	Accessory
Foldaway Arms	Yes	Yes	Yes	Yes
Removable Arms	Yes	Yes	Yes	Yes
Foldaway Footrest	Yes	Yes	Yes	Yes
Removable Footrest	No	No	Yes	Yes
Tool less easy Assembly	Yes**	Yes**	Yes**	Yes**
Non Corrosion Construction	Yes	Yes	Yes	Yes
Weight Capacity (lb.)	300 lb.	300 lb.	300 lb.	300 lb.
2 Year Limited Warranty	Yes	Yes	Yes	Yes





# Infection Control

## Preventative measures

### Planning

- Surveillance is a key component of infection prevention and control programmes

### Equipment

ShowerBuddy chairs and transfer systems have been designed for efficient infection control by:

- Avoiding any build up of body fluids or waste water by incorporating drainage pathways within the chair frame and parts
- Using smooth powder coated finishes for an easy clean surface
- Using sealed PU foam seating cushions, neck rest and arm rests for easy wipe cleaning and no porosity
- Using easily replaceable seat cushions and other PU parts (if required)
- Using a high grade 6061 T6 Aluminum frame, providing a non corrosive solution and no rust or deterioration
- Using grade 304 Stainless Steel for all mechanical and hardware parts
- Using POM non-porous plastic for high strength moving parts
- Using PA grade non-porous plastic for ease of cleaning exposed parts

## Hygiene Routines

- Hand hygiene is the most important means of preventing the spread of infection. Hand hygiene encompasses hand washing with soap as well as the use of waterless, alcohol-based, hand sanitising products.
- Effective cleaning of the ShowerBuddy is important in preventing cross-infection (refer owners manual).
- Standard Precautions involve the use of barrier measures, including personal protective equipment (PPE) in all situations to prevent cross-infection. This includes the wearing of gloves, gowns and masks for contact with all body fluids and also the application of other measures to prevent cross-infection such as covering of cuts and scratches with occlusive dressings, effective cleaning up of body spills and containerization of waste.

Consideration must be given to a total solution for infection control and specialist assistance should be sought for the most appropriate solution for the required situation.

# Cleaning + Maintenance

Dignity + Ease + Comfort

## Maintenance

It is recommended that your shower chair is serviced annually by your Showerbuddy Dealer or an authorised, competent service agent, in addition:

1. Regularly inspect all parts of the chair for defects. Any defective part should be removed promptly.
2. Clean the seat using a damp cloth and a mild cleanser. Always read the manufacturers instructions prior to applying the cleanser. When using Sodium Hypochlorite (Bleach) on the seat, a solution of 0.1% Sodium Hypochlorite should have no adverse effects on the cleaning of chairs. However, when using a solution of 1.0%, care should be taken to rinse the chairs thoroughly with clean water after application. Over a period of time bleaching may occur, but the integrity of the product will remain unaffected.
3. Dry off the shower chair after use.
4. Do not oil or grease any parts.
5. Keep the castors free from lime scale, soap residue and hair by cleaning after use in the shower.

## Caring for stainless steel

Stainless steel has excellent corrosion resistance, but it is not stain or rust proof. Regular maintenance will keep stainless steel clean and free of contaminants. In most applications stainless steel will not rust or stain even after many years of service, but when used in certain environments such as concentrated chlorine or other corrosive elements stainless steel requires proper care and maintenance. Do not leave stainless in contact with iron, steel or other metals.

1. Clean stainless steel frequently with soap and water. Any cleaner safe for glass is usually safe for stainless steel; apply with a cotton cloth.
2. Use a coating such as a good wax to help safeguard the stainless steel.
3. Remove discolouration or rust spots as soon as possible with a brass, silver or chrome cleaner. Irreversible pitting will develop under rust that remains on stainless steel for any period of time. Apply a mild cleaner such as Ajax or an equivalent with a wet cotton cloth in the direction of the grain of the finish. Rinse thoroughly and wipe dry. Do not use abrasives such as sandpaper or steel wool on stainless steel.
4. Do not clean with mineral acids or bleaches.
5. Do not store near any chlorine product.