

FR ONE

FR

2019

free rider

FR One is the 1st mobility scooter like a your sporty car from appearance to performance.





Drive like car



Steering control is designed by universal joints, same like your car.

Features:

1. Effortless turning
2. Handle angle adjustment
3. Handle height adjustment

Handle Height adjustment



Add the high-performance material help you move more comfortable, and more visibility and a quite ride.







FreeRider

Power your life

YINPENG
90/70
FR

FR 112002
1121



MK
POWERED
inside



Additional Storage Places



FEATURES

Captain Seat

Seat angle adjustable

Front & rear Spring
Suspensions

Full LED lighting system

LCD Digital Display

13" Pneumatic tires

USB Port

Tiller height adjustable

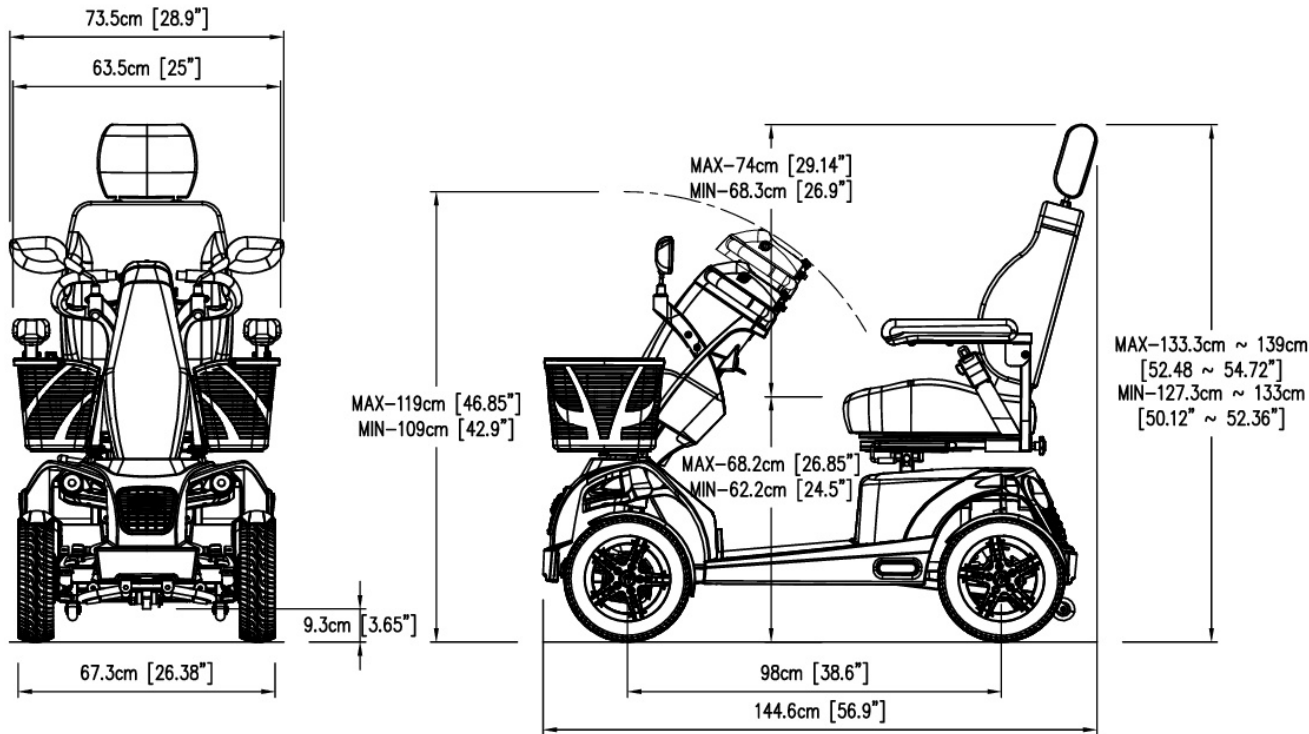
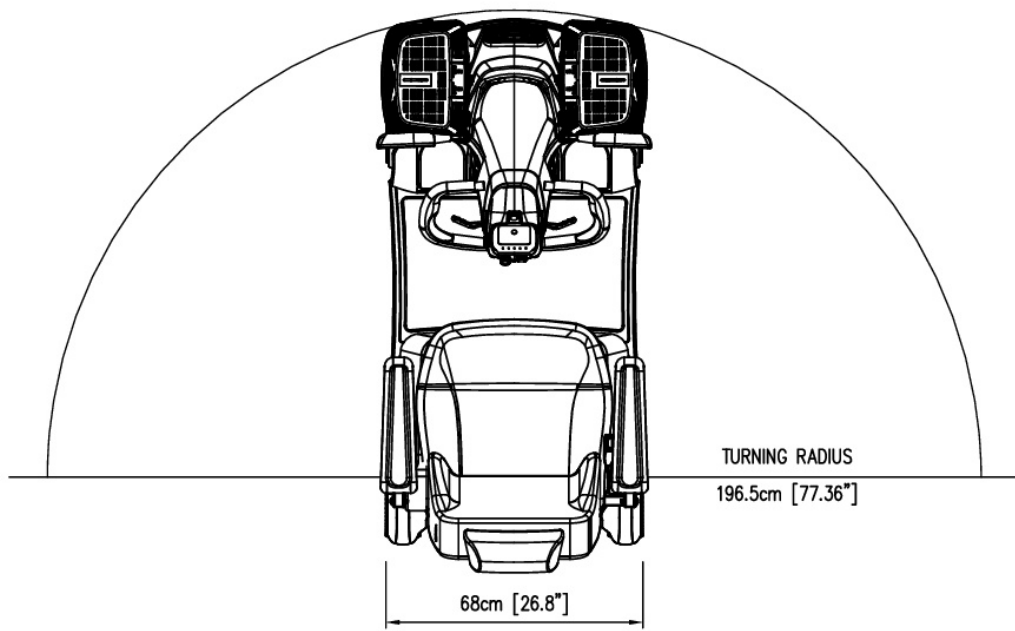
Hand break

Quick-Speed Control

Dual-rear mirrors

Mud guard

Extra Storage Space



Top Speed

9.4 mph

Weight Cap

400lbs

Range

Up to 40 miles

Overall Length

57"

Overall Width

27"

Front Wheel

13" Pneumatic

Rear Wheel

13" Pneumatic

Ground Clearance

5.8"

Turning Radius

77"

Seat Width & Depth

17" & 17"

Choose Yours

Arctic White



Spirit Red



Iron Gray







2019

JOIN US

FREERIDER USA
8696 Utica Ave Rancho Cucamonga, CA 91730
Email: sales@freeriderusa.com
TEL: 909-466-7996
FAX: 909-466-7990