

ELECTRIC AND MANUAL BEDS

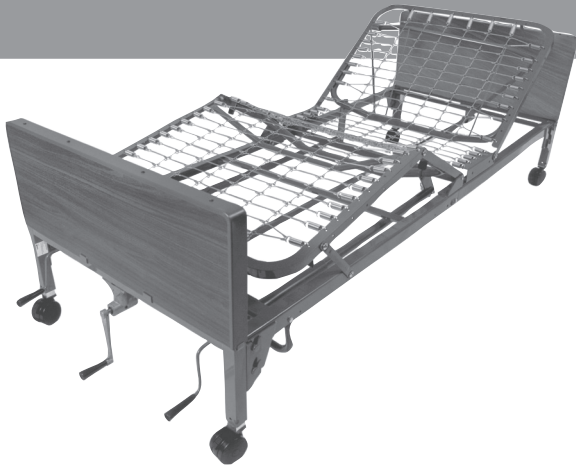
OWNER'S ASSEMBLY AND OPERATING MANUAL

CAMAS ELÉCTRICAS Y MANUALES

INSTRUCCIONES DE MONTAJE Y MANUAL DE OPERACIÓN

LITS ÉLECTRIQUES ET MANUELS

GUIDE D'ASSEMBLAGE ET D'UTILISATION

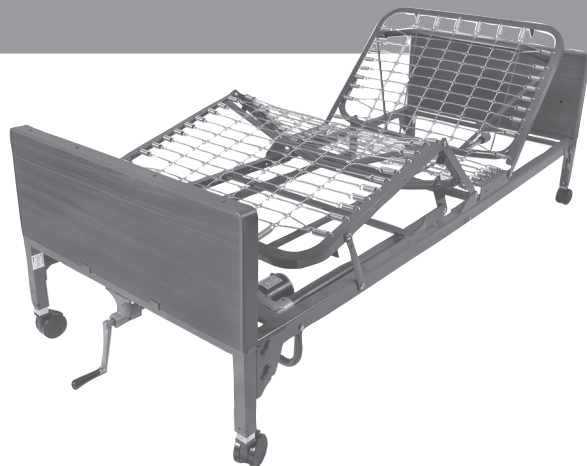


15003

Manual Bed Single Crank

Cama Manual Manivela Sencilla

Lit Manuel Manivelle Unique



15004

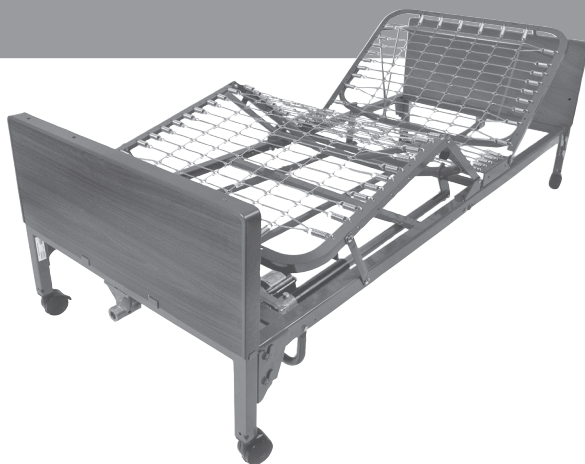
Semi-Electric Bed Single & Two Crank - Hi/Lo

Cama Semi-Eléctrica Con Una Y Dos

Manivelas – Alto/Bajo

Lit Semi-Électrique Une Et Deux

Manivelles – Hi/Lo



15005

Full Electric Bed

Cama Totalmente Eléctrica

Lit Tout Électrique

drive™

SPECIFICATIONS

PACKAGING/HANDLING

UNPACKING

1. Check bed components for any obvious damage to the carton or its contents. If damage is evident, contact your local Drive dealer.
2. Remove any loose packing from the cartons.
3. Carefully remove all components from the cartons.

The three cartons and contents are as follows:

1. Bed End carton:

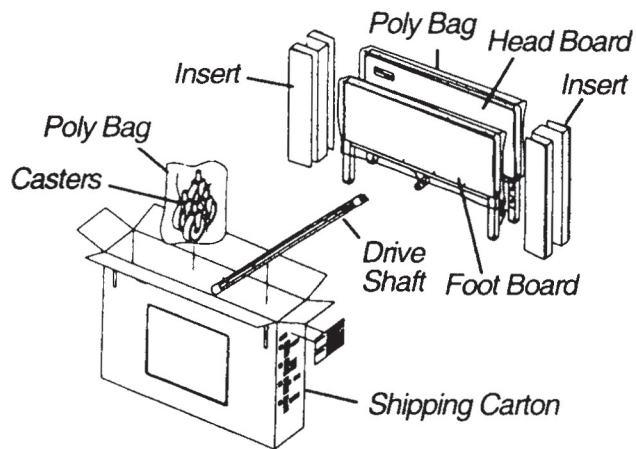
One (1) Head end.

One (1) Foot end (crank assembled on Bed No. 15003)

One (1) Drive Shaft Assembly-two-piece.

- * Four (4) Casters (two [2] locking and two [2] non locking casters).

NOTE: Set the Drive Shaft Assembly aside for Bed Nos. 15003, 15004, 15005



2. Foot Spring carton-Electric models (15012 or 15013):

One (1) Electric foot spring w/junction box and cord.

One (1) Hand pendant control.

One (1) Pendant holder.

One (1) Emergency crank handle.

CAUTION

DO NOT attempt to operate bed controls prior to completion of assembly as damage to bed components or personal injury may occur.

3. Head Spring carton:

One (1) Head spring

INSPECTION

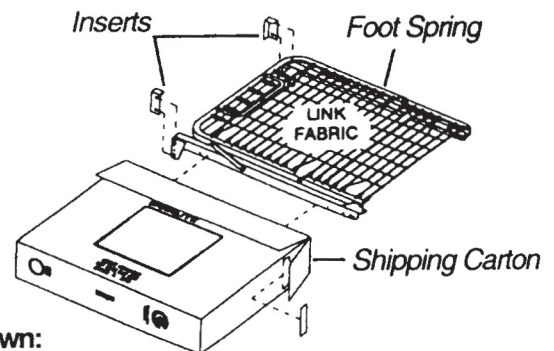
1. Examine each item carefully for scratches, nicks, dents or any other apparent damage.

NOTE: For semi-electric and full-electric beds:

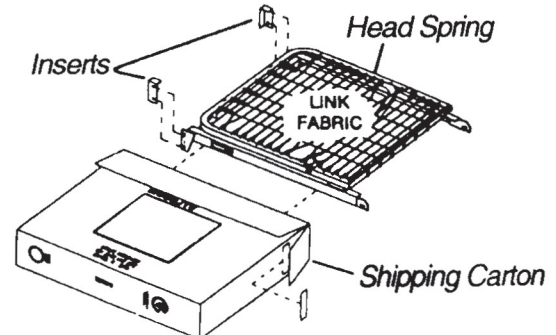
2. Inspect the power supply cord for cuts or damage to the cord and/or plug.
3. Inspect the junction box for any damage to the connectors.
4. Ensure that the motor plugs are in good working order and fit properly into the junction box.

STORAGE

1. If bed is not to be assembled immediately, retain the cartons and packaging for storage until assembly is to be performed.
2. Store the repackaged homecare bed in a dry area.
3. DO NOT place other objects on top of the repackaged cartons.



Not Shown:
Junction Box w/Cord
Pendant and Emergency Crank Handle



ASSEMBLY

CONNECTING THE SPRING SECTIONS (SEMI/FULL ELECTRIC AND MANUAL BEDS) (FIGURE 1)

1. Remove the head spring (Model 15008) from packaged container and place on its side to your left with the center mounting latches to your right.
 2. Remove the foot spring from packaged container and place on its side to your right with the head spring pull tube at the top of the assembly and the center mounting rivets facing to the left.
 3. For semi-electric (15012) and full-electric (15013) foot spring, the motors should be to your right and for manual foot spring(15009) the crank handles will be to your right.
 4. The head and foot spring should now be on their side at approximately a 90° angle to one another.
 5. Hook the bottom head spring center mounting latches to the bottom foot spring center mounting rivets.
 6. Hook the top head spring center mounting latches to the top foot spring center mounting rivets.
- NOTE: It may be necessary to lift slightly on the head spring or foot spring to secure the mounting latches and rivets.*
7. After head and foot springs are connected, push the springs into a horizontal (straight) position while still on their sides.

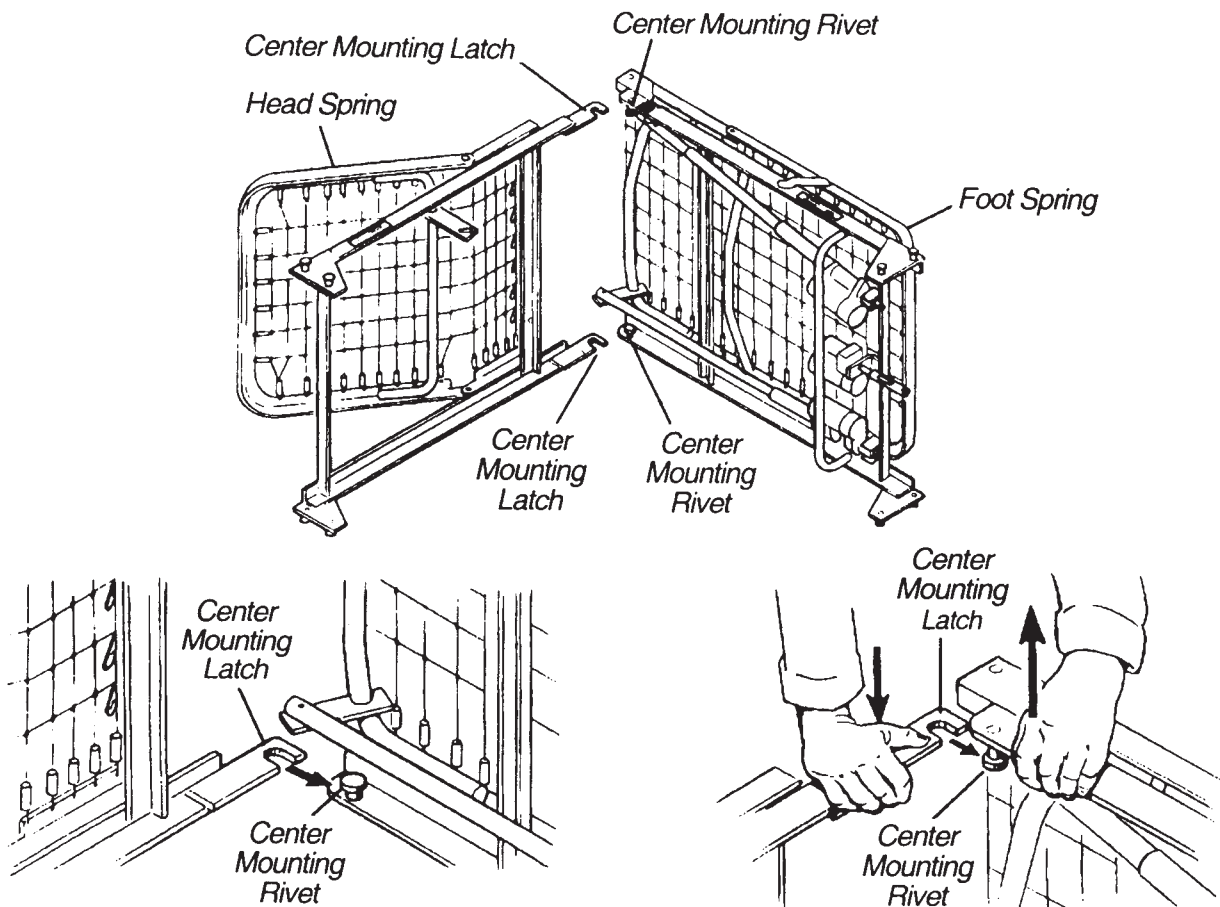


FIGURE 1 - CONNECTING THE SPRING SECTIONS

ASSEMBLY

CONNECTING THE SPRING FABRIC (FIGURE 2)

1. Lift the head spring upward to give slack to the fabric, and connect the spring fabric together with the links provided.

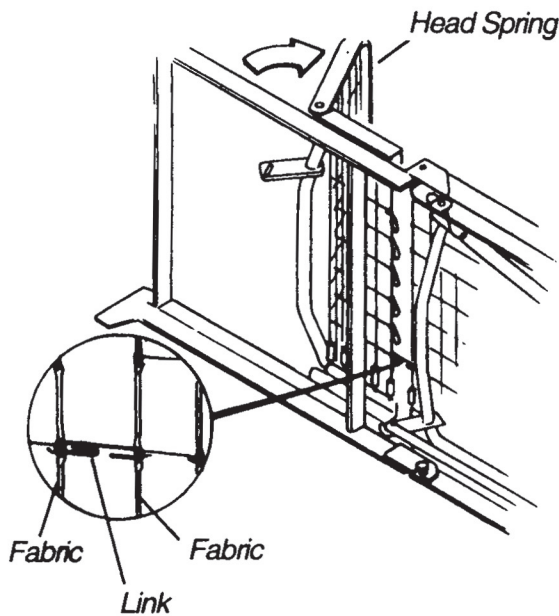


FIGURE 2 - CONNECTING THE SPRING FABRIC

ADJUSTING AND RECONNECTING THE HEAD SPRING PULL TUBE (FIGURE 3)

1. To provide up/down movement of the head section, disconnect the head pull-tube assembly from the side frame of the foot spring by removing the hitch pin, grommet and washer from the clevis pin.
2. Extend the inner pull tube shaft manually until the spring button "clicks" into the adjustment hole of the outer pull tube.
3. The spring button should protrude through the adjustment hole and the clevis pin of the now extended pull tube arm will line up with the lift arm slot.
4. Connect the pull tube end assembly to the lift arm of the head spring by inserting the clevis pin into the lift arm slot; reconnect the grommet and washer. Secure with hitch pin.

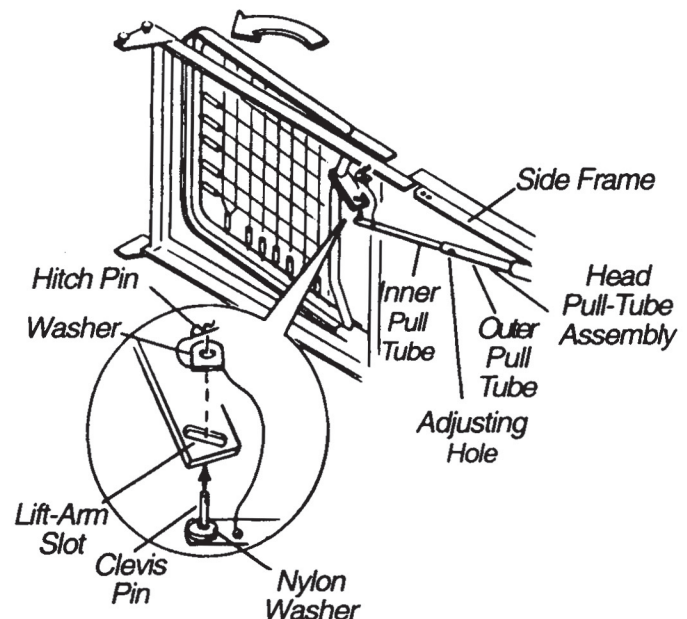


FIGURE 3 - ADJUSTING AND RECONNECTING THE HEAD SPRING PULL TUBE

ASSEMBLY

ASSEMBLING THE BED ENDS (FIGURE 4)

NOTE: When connecting the bed ends (headboard and footboard), remember that the headboard is the taller of the two.

1. Stand the headboard as close to the head spring as possible.
2. With one hand, grasp the head spring frame and raise it until the rivets on the corner plates of the spring are at the correct height to fit into the corner locks on the headboard.
3. Tilt the headboard backward slightly and the rivets should slide into the corner locks more easily.
4. When the headboard is returned to its full upright position, the headboard will lock into place.
5. Repeat the same procedure for the foot end section.

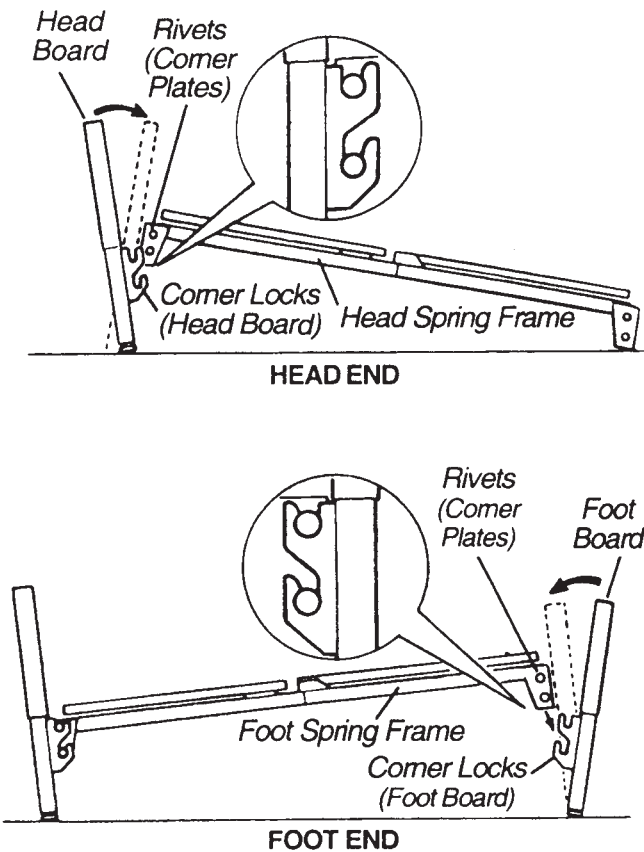


FIGURE 4 - ASSEMBLING THE BED ENDS

ASSEMBLY

INSTALLING THE CASTERS (FIGURE 5)

1. Install casters by carefully lifting the bed ends approximately 5-inches (12.7 cm) from the floor and insert the shaft of caster assembly into the caster socket.

NOTE: Position the two (2) locking casters diagonally opposite from one another.

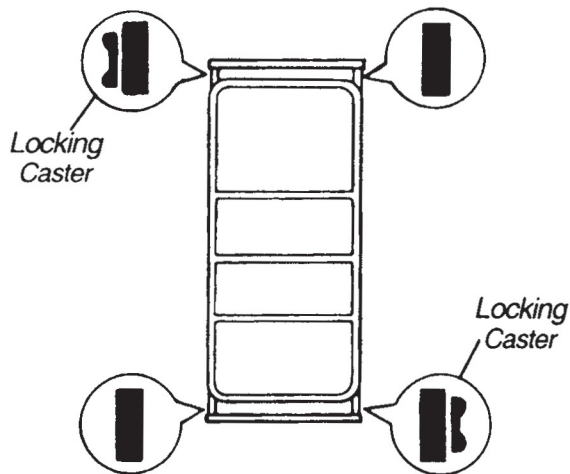
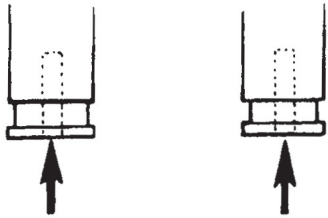


FIGURE 5 - INSTALLING THE CASTERS

DRIVE SHAFT ASSEMBLY AND INSTALLATION (FIGURE 6)

The drive shaft is composed of two (2) sections. The inner shaft which has a positioning spring button, and the outer shaft, which has two (2) positioning holes and one (1) storage position hole. Together they make the telescoping drive shaft used on all manual and electric Hi/Lo model beds.

1. Remove the plastic caps from each end of the drive rod.
2. Depress spring button on the inner shaft and insert the inner shaft into the outer shaft.
3. Slide the inner shaft to the desired position for the type of bed being used and engage the spring button into the proper positioning hole.
4. For semi-electric and manual beds, engage the spring button into the furthestmost positioning hole in outer shaft.
5. For full-electric models, engage the spring button in to the positioning hole in the outer shaft located next to the semi-electric/manual positioning hole.
6. Connect the drive shaft to the bed by attaching either end of the drive shaft to the head end gear box.
7. Connect the other end to the Hi/Lo motor output shaft and then connect the foot end gearbox output shaft to the Hi/Lo motor output shaft spring-loaded coupler.
8. Release the drive shaft spring-loaded coupler by pushing in against the spring-loaded coupler and turn it clockwise.
9. The Hi/Lo motor output shaft spring-loaded coupler must now be released to properly connect with the foot end gear box output shaft.
10. Do this by pushing in against the Hi/Lo motor output shaft spring-loaded coupler and turn it clockwise.
11. The coupling will release and engage the foot end output shaft.
12. Ensure that all components are securely installed.

ASSEMBLY

NOTE: Since there is no Hi/Lo motor for semi-electric Single Crank, Two Crank and manual beds with Hi/Lo functions, the drive shaft will mount directly into the foot end gearbox output shaft.

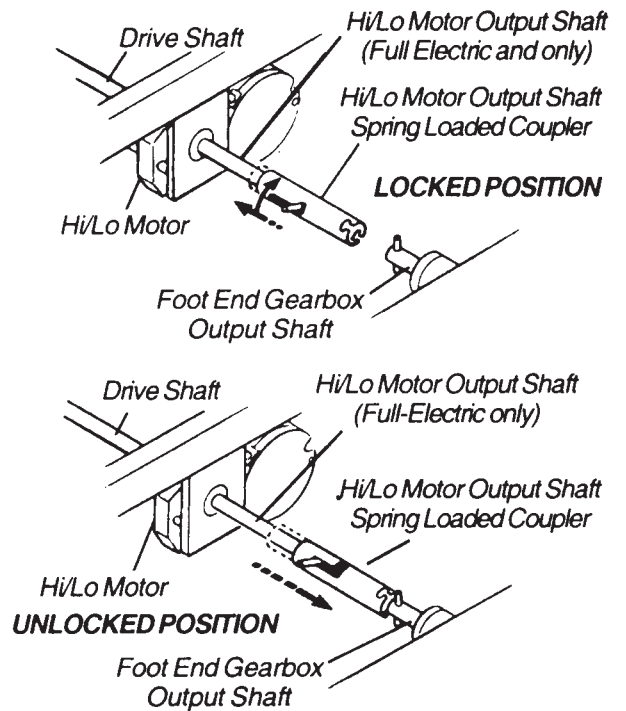
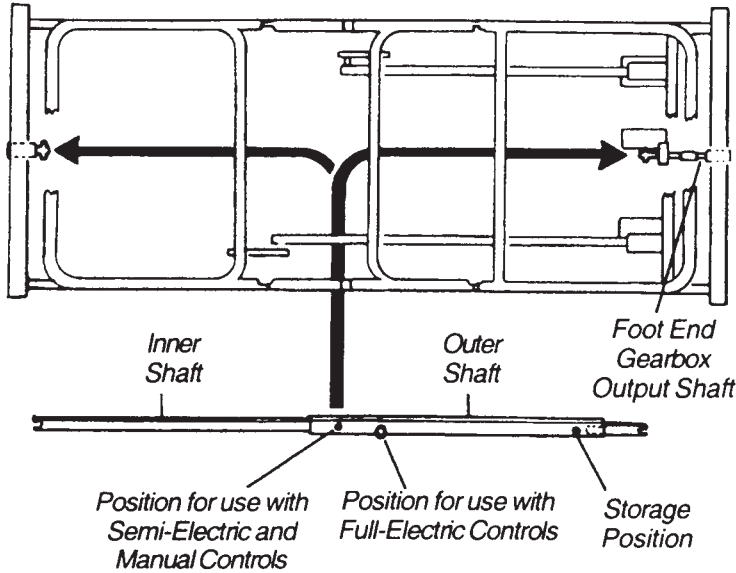


FIGURE 6 - DRIVE SHAFT ASSEMBLY AND INSTALLATION

ACTIVATING THE BED FUNCTIONS (FULL/SEMI ELECTRIC BEDS ONLY) (FIGURE 7)

1. Recheck all electrical connections on junction box at foot end ensuring that all motors are plugged into the correct locations.
2. Plug the junction box cord into a properly grounded 110-volt, 60 cycle outlet.
3. Install pendant holder in convenient place for user.

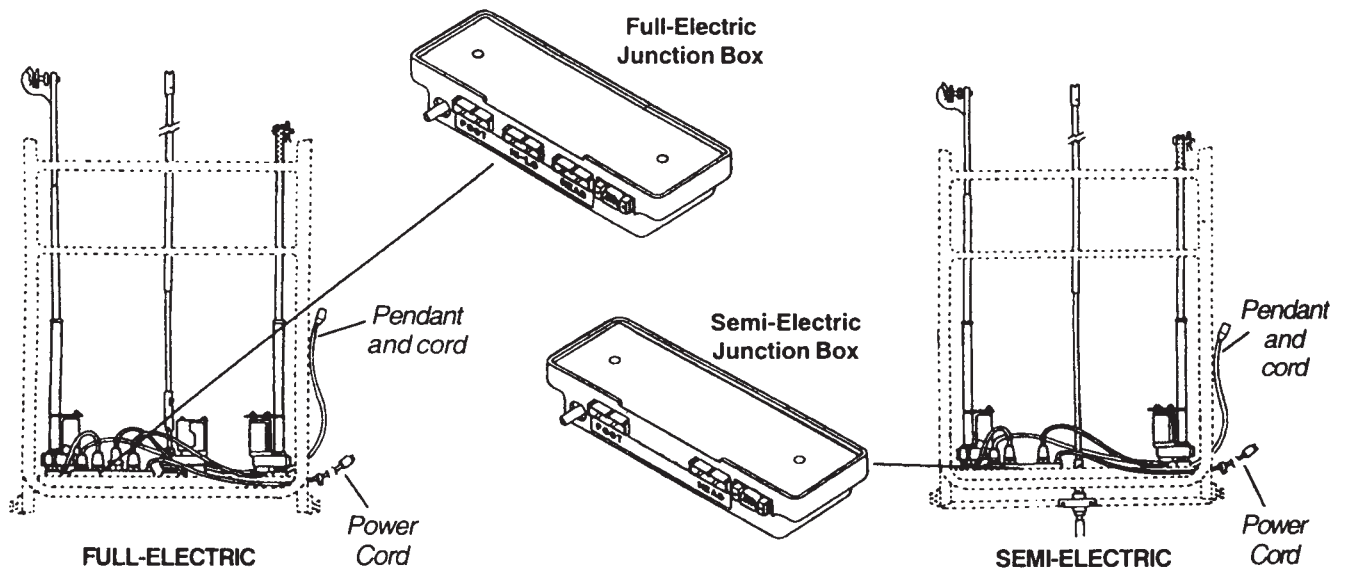


FIGURE 7 - ACTIVATING THE BED FUNCTIONS (FULL/SEMI ELECTRIC BEDS ONLY)

OPERATION AND ADJUSTMENT

This Procedure Includes the following:

Full Electric Operation

Semi-Electric Operation

Manual Bed Operation

FULL-ELECTRIC OPERATION

1. The accompanying pictures detail the full-electric beds and will acquaint the user with the bed functions and controls.
2. Operate the bed through all phases of its operation.
3. If any problems arise during test, recheck all electrical connections and mechanical hook ups.
4. Full-Electric beds use a six (6) function pendant for all bed operation.
5. All Full-Electric beds come with an emergency crank to allow continued operation in the event of a power outage.

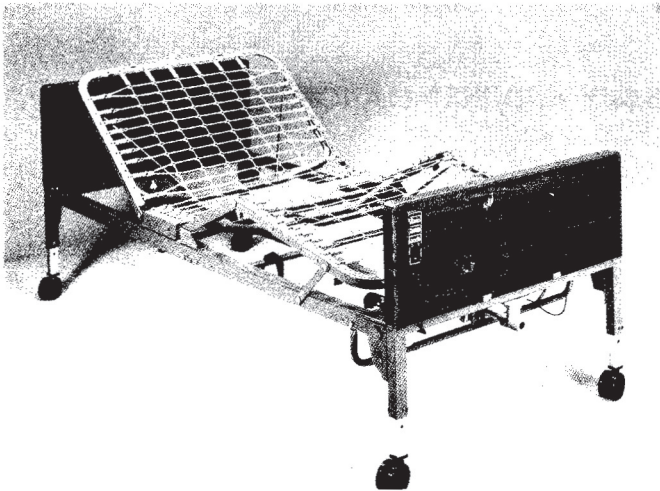
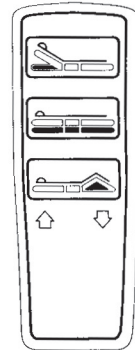


FIGURE 1 - FULL-ELECTRIC BED

Raising and Lowering the Entire Bed (Full-Electric Beds [FIGURE 2])

TO RAISE ENTIRE BED - FULL ELECTRIC BEDS

Depress button "BED" "UP" as shown on pendant control. This will raise the entire height of the bed.



TO LOWER ENTIRE BED - FULL ELECTRIC BEDS

Depress button "BED" "DOWN" as shown on pendant control. This will lower the entire height of the bed.

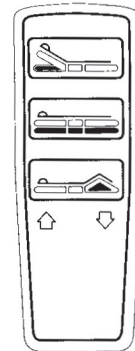


FIGURE 2 - RAISING AND LOWERING THE ENTIRE BED (FULL-ELECTRIC BEDS)

OPERATION AND ADJUSTMENT

Raising and Lowering the Head and Foot Sections (Full-Electric Beds [FIGURE 3])

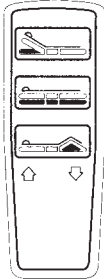
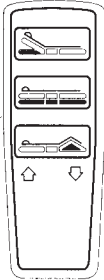
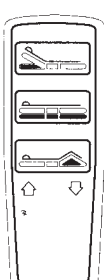
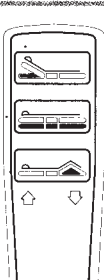
<p>TO RAISE THE HEAD SPRING SECTION FULL ELECTRIC BEDS</p> <p>Depress button "HEAD DOWN" as shown on pendant control. This will lower the head portion of the bed ONLY.</p>	
<p>TO LOWER THE HEAD SPRING SECTION FULL ELECTRIC BEDS</p> <p>Depress button "HEAD DOWN" as shown on pendant control. This will lower the head portion of the bed ONLY.</p>	
<p>TO RAISE THE FOOT SPRING SECTION FULL ELECTRIC BEDS</p> <p>Depress button "FOOT UP" as shown on pendant control. This will raise the foot portion of the bed ONLY.</p>	
<p>TO LOWER THE FOOT SPRING SECTION FULL ELECTRIC BEDS</p> <p>Depress button "FOOT DOWN" as shown on pendant control. This will lower the foot portion of the bed ONLY.</p>	

FIGURE 3 - RAISING AND LOWERING THE HEAD AND FOOT SECTIONS (FULL-ELECTRIC BEDS)

SEMI-ELECTRIC OPERATION

1. The accompanying pictures detail the semi-electric beds with the hi/lo and foot crank locations where applicable.
2. The semi-electric Single and Two Crank beds with Hi/Lo operation use a four (4) function pendant for head and footspring functions and a hand crank for hi/lo bed operation.
3. The semi-electric fixed height beds will feature head and foot section operation but the overall bed height is fixed and cannot be altered.
4. Determine your particular semi-electric bed to assist in the operation of the features of the bed.
5. Operate the bed through all phases of its operation.
6. If any problems arise during test, recheck all electrical connections and mechanical hook ups.
7. All semi-electric beds come with an emergency crank to allow continued operation in the event of a power outage.

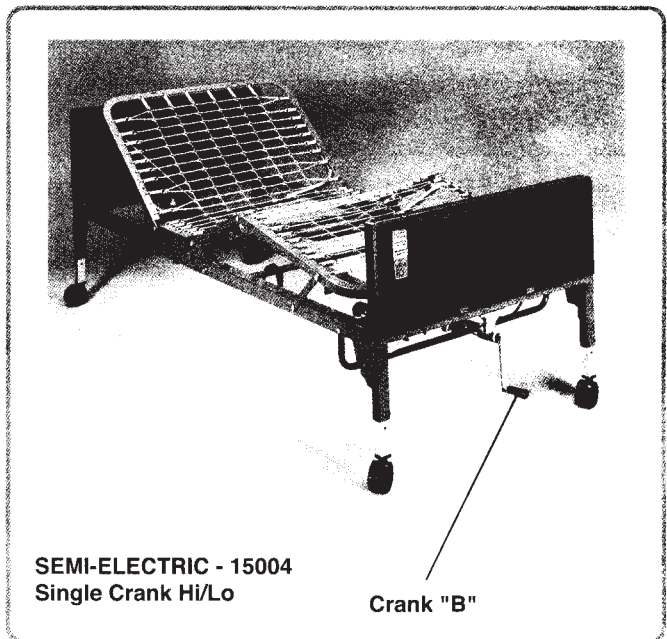


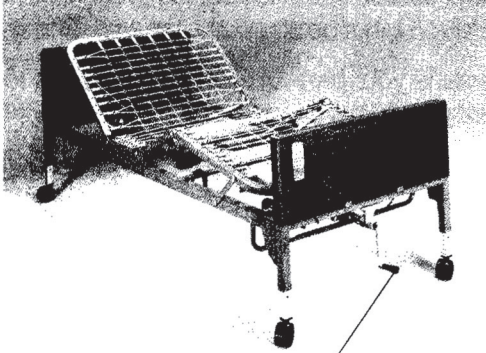
FIGURE 4 - SEMI-ELECTRIC OPERATION

OPERATION AND ADJUSTMENT

Raising and Lowering the Entire Bed (Semi-Electric Beds [FIGURE 5])

TO RAISE ENTIRE BED-SEMI-ELECTRIC BEDS

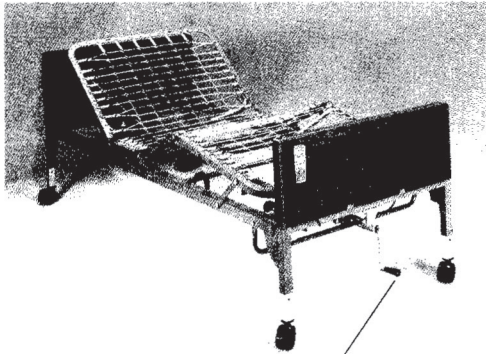
SEMI-ELECTRIC SINGLE CRANK-HI/LO:
Turn crank "B" clock wise. This will raise the entire height of the bed.



Crank "B"

TO LOWER ENTIRE BED - SEMI-ELECTRIC BEDS

SEMI-ELECTRIC SINGLE CRANK-HI/LO:
Turn crank "B" counter clockwise. This will lower the entire height of the bed.



Crank "B"

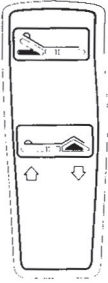
FIGURE 5 - RAISING AND LOWERING THE ENTIRE BED (SEMI-ELECTRIC BEDS)

Raising and Lowering the Head and Foot Sections (Semi-Electric Beds [FIGURE 6])

TO RAISE HEAD SPRING SECTION - SEMI-ELECTRIC BEDS

SEMI-ELECTRIC SINGLE CRANK -HI/LO:

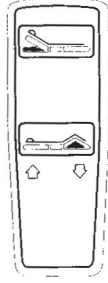
Depress button "HEAD UP" as shown on pendant control. This will raise the head portion of the bed ONLY.



TO LOWER HEAD SPRING SECTION - SEMI-ELECTRIC BEDS

SEMI-ELECTRIC SINGLE CRANK -HI/LO:


Depress button "HEAD DOWN" as shown on pendant control. This will lower the head portion of the bed ONLY.



TO RAISE FOOT SPRING SECTION - SEMI-ELECTRIC BEDS

SEMI-ELECTRIC SINGLE CRANK -HI/LO:

Depress button "FOOT UP" as shown on pendant control. This will raise the foot portion of the bed ONLY.



TO LOWER FOOT SPRING SECTION - SEMI-ELECTRIC BEDS

SEMI-ELECTRIC SINGLE CRANK -HI/LO:

Depress button "FOOT DOWN" as shown on pendant control. This will lower the foot portion of the bed ONLY.

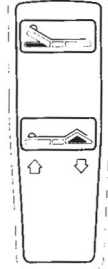


FIGURE 6 - RAISING AND LOWERING THE HEAD AND FOOT SECTIONS(SEMI-ELECTRIC SINGLE AND TWO CRANK HI/LO BEDS)

NOTE: Remember that in the event a full or semi-electric bed should malfunction, it is possible to manually crank the bed using the emergency crank supplied.

OPERATION AND ADJUSTMENT

MANUAL BED OPERATION (FIGURE 7)

1. The accompanying pictures detail the manual bed models and the hi/lo crank locations where applicable.
2. Determine your particular manual bed to assist in the operation of the features of the bed.
3. Operate the bed through all phases of its operation.
4. If any problems arise during test, recheck all mechanical hook ups.

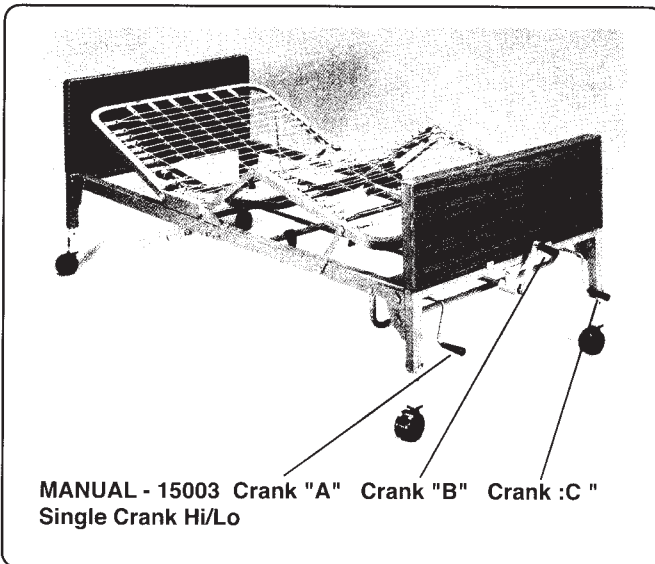
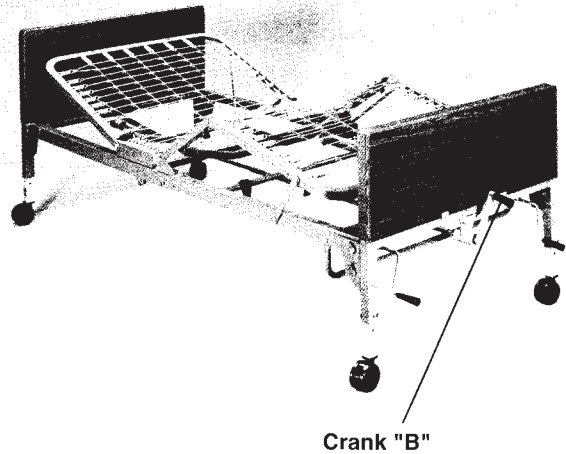


FIGURE 7 - MANUAL BED OPERATION

Raising and Lowering the Entire Bed (Manual Beds [FIGURE 8])

TO RAISE ENTIRE BED - MANUAL BEDS

MANUAL SINGLE CRANK-HI/LO:
Turn crank "B" clockwise. This will raise the entire height of the bed.



TO LOWER ENTIRE BED - MANUAL BEDS

MANUAL SINGLE CRANK-HI/LO:
Turn crank "B" counterclockwise. This will lower the entire height of the bed.

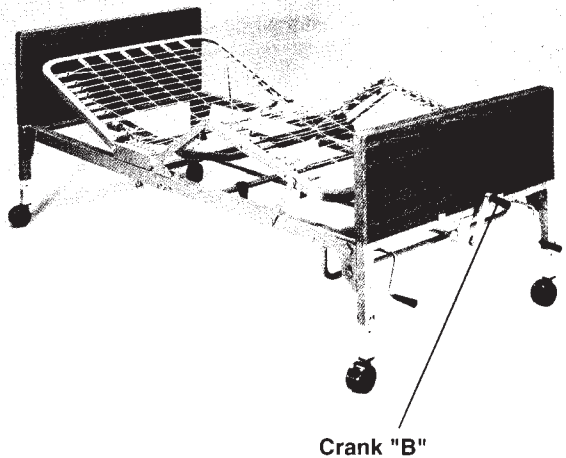


FIGURE 8 - RAISING AND LOWERING THE ENTIRE BED (MANUAL BEDS)

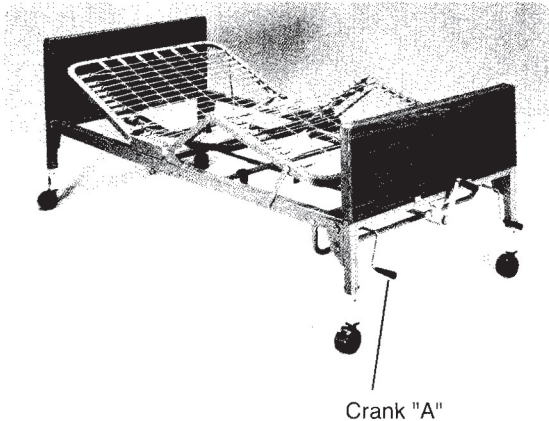
OPERATION AND ADJUSTMENT

Raising and Lowering the Head Section (FIGURE 9 A)

TO RAISE HEAD SPRING SECTION - MANUAL BEDS

MANUAL SINGLE CRANK HI/LO:

Turn crank "A" clockwise. This will raise the head portion of the bed ONLY.



TO LOWER HEAD SPRING SECTION - MANUAL BEDS

MANUAL SINGLE CRANK HI/LO:

Turn crank "A" counterclockwise. This will lower the head portion of the bed ONLY.

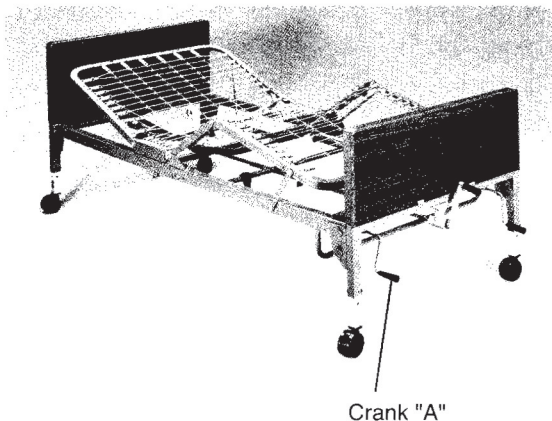


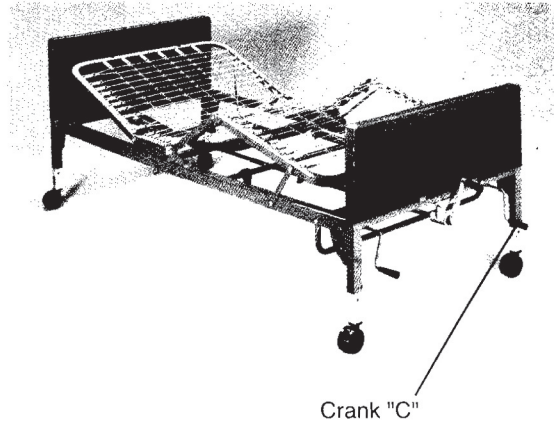
FIGURE 9A - RAISING AND LOWERING THE HEAD SECTION

Raising and Lowering the Foot Section (FIGURE 9 B)

TO RAISE FOOT SPRING SECTION - MANUAL BEDS

MANUAL SINGLE CRANK HI/LO:

Turn crank "C" clockwise. This will raise the foot portion of the bed ONLY.



TO LOWER FOOT SPRING SECTION - MANUAL BEDS

MANUAL SINGLE CRANK HI/LO:

Turn crank "C" counterclockwise. This will lower the foot portion of the bed ONLY.

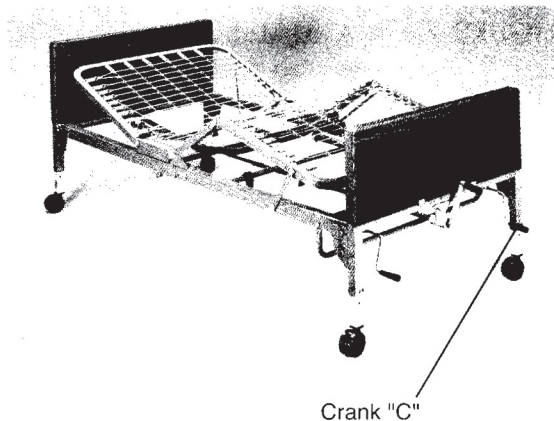


FIGURE 9B - RAISING AND LOWERING THE FOOT SECTION

MAINTENANCE AND SAFETY CHECKS

Drive recommends the following maintenance and cleaning procedures be conducted between users.

ELECTRONICS

- Check all controls to make sure all functions work properly.
 - Foot control
 - Head control
 - Hi/LO
- Check all cables for damaged or frayed wires.
 - Power cord
 - Pendant cord
- Check to make sure all plugs are fully inserted or attached.

Bed frame and sleeping surface

- Visually check all welds
 - Head section
 - Foot section
 - Main Frame
- Check joints between sleeping surface sections for loose fasteners.

Cleaning

- The metal parts of the bed are covered with a powder coating. Clean all coated parts with mild detergent and warm water. Periodically raise head and feet sections of the bed and remove dust from frame. Also, periodically remove mattress and clean mattress deck.

Lubrication and Mechanical

- Lightly grease all actuator screw threads with white lithium grease.
- Lubricate all caster roller and swivel bearings with light machine oil.
- Check all bolts and tighten as needed.

WARRANTY

Lifetime warranty on welds.

Five year warranty on frame.

One year warranty on all other parts and components.

During the warranty period, defective items will be repaired or replaced at Drive's option at no charge.

GENERAL WARNINGS

DO NOT use this product or any available optional equipment without first completely reading and understanding these instructions and any additional instructional material such as owner's manuals, service manuals or instruction sheets supplied with this product or optional equipment. If you are unable to understand the warnings, cautions or instructions, contact a healthcare professional, dealer or technical personnel before attempting to use this equipment - otherwise, injury or damage may occur.

Read all the instructions before using the bed.

Refer to the owner's manuals for beds and rails for additional product and safety information.

After any adjustments, repair or service and before use, make sure all attaching hardware is tightened securely. After the bed has been assembled, always test to make sure that all sections of the bed are properly and securely in place before using.

ALWAYS use caster locks except when moving the bed.

Body weight should be evenly distributed over the surface of the bed. DO NOT lay, sit or lean in such a way that your entire body weight is placed only on raised head or foot sections of the bed. This includes when assisting the user in repositioning or transferring in or out of bed.

Check all parts for shipping damage and test before using. In case of damage, DO NOT use. Contact a qualified technician for further instruction.

Close supervision is necessary when this bed is used by or near children or people with disabilities.

DO NOT let any individual underneath the bed or in between the raised bed frame components at anytime.

DO NOT permit more than one person on/in the bed at any time.

DO NOT use outdoors.

DO NOT use this product or any available optional equipment without first completely reading and understanding these instructions and any additional instructional material such as owner's manuals, service manuals or instruction sheets supplied with this product or optional equipment. If you are unable to understand the warnings, cautions or instructions, contact a healthcare professional, dealer or technical personnel before attempting to use this equipment - otherwise, injury or damage may occur.

For Dealers Only - Set-up and Assembly Instructions are in the rear of this manual. These procedures must be performed by a qualified technicians only.

The March 2006 version of the FDA's bed safety guidelines are published by Hospital Bed Safety Workgroup. The latest revision of this document is available at <http://www.fda.gov>.

If the unit is not working properly, call a qualified technician to examine the unit and repair it.
Drive Medical products are specifically designed and manufactured for use in conjunction with Drive Medical

accessories. Accessories designed by other manufacturers have not been tested by Drive Medical and are not recommended for use with Drive Medical products.

Keep all moving parts, including the main frame, mattress deck (head and foot springs/sections) and all drive shafts free of obstruction (i.e. blankets/sheets, heating blankets/pads, tubing, wiring, etc. and other types of products using electric cords which may get tangled around the bed, side rails or legs) during operation of the bed.

Keep the product a minimum of 12 inches away from any direct heat source.

Make sure head and foot springs/sections are connected securely to the universal bed ends before use.

Physically challenged individuals who cannot prevent themselves from rolling/climbing out of the this bed may require alternative safe means of restraint.

Procedures other than those described in this manual must be performed by a qualified technician.

Risk of injury to persons - DO NOT place video equipment such as televisions or computer monitors on bed.

NEVER allow patients to use trapeze or traction units as a total individual weight support.

Trapeze units are to be used only for assisting the patient in repositioning or transferring into or out of bed. Trapeze units must be positioned on a universal bed end as near as possible to the center point of the bed end. The bed is not designed to be used as a patient transport. When transporting a patient, use an approved patient transport. Otherwise, injury or damage may result.

The bed may be equipped with locking casters. When transferring into or out of the bed, always lock the locking caster(s). Inspect for correct locking action on caster locks before using bed. Even with casters properly locked, some flooring surfaces such as tile or wood, will allow the bed to move under some conditions. Use on surfaces such as these must be evaluated by the care provider.

The initial set up of this bed must be performed by a qualified technician.

The total weight limit of the Drive Medical 36-inch (91.4 cm) wide Manual/Electric bed (including accessories, mattress, occupant and any other person/object positioned on the bed) is 450 pounds (204 kg.); 350 pounds (158 kg) patient weight.

Use this bed only for its intended use as described in these instructions. DO NOT use attachments not recommended by the manufacturer.

After raising/lowering the head/foot end of the bed, check the distance between the bottom of the bed rail and the mattress. If there is excessive distance between the bottom of the bed rail and the mattress in which individuals may become entangled, adjust the height of the bed rail (if applicable), or provide alternative means of patient protection.

Once patient assessment concludes that the patient's condition increases the chance of entrapment, the bed **MUST** be in the flat position when left unattended.

Proper patient assessment and monitoring, and proper maintenance and use of equipment is required to reduce the risk of entrapment. Variations in bed rail dimensions, and mattress thickness, size or density could increase the risk of entrapment. Visit the FDA website at <http://www.fda.gov> to learn about the risks of entrapment. Replacement mattresses and bed side rails with dimensions different than the original equipment supplied or specified by the bed frame manufacturer are not interchangeable. Variations in bed side rail design, width and thickness or firmness of the mattress could cause/contribute to entrapment. Use only authorized Drive Medical replacement parts and/or accessories otherwise the warranty is void. Drive Medical will not be responsible for any damage or injury that may result.

To reduce the risk of entrapment make certain that the bed rail cross braces **DO NOT** exceed the width of the mattress. Mattress **MUST** fit bed frame and side rails snugly to reduce the risk of entrapment.

When operating this bed, **ALWAYS** ensure that the individual utilizing the bed is positioned properly within the confines of the bed. **DO NOT** let any extremities protrude over the side or between the bed rails when performing these functions.

Drive Medical recommends that the mattress be centered on the bed frame. Otherwise, individuals may become entangled between the bed rail and the bed frame.

Mattress **MUST** fit bed frame and assist rails snugly to reduce the risk of entrapment.

SAVE THESE INSTRUCTIONS

NOTE: Updated versions of this manual are available on www.Drive Medical.com.

BED RAIL WARNINGS

Assist rails with dimensions different from the original equipment supplied or specified by the bed manufacturer may not be interchangeable and may result in entrapment or other injury.

Although bed rails are not rated to any specific weight limitation, the bed rails may become deformed or broken if excessive side pressure is exerted on the bed rails. The bed rail is not an assist rail for getting into or out of bed. **DO NOT** use the bed rails as push handles when moving the bed.

Always test to make sure that the side rails are properly and securely in place before using the bed.

DO NOT install the optional bed rails without reading and understanding all of the instructions in the instruction sheet that accompanies the bed rail kit.

DO NOT use the side rails as push handles for moving the bed.

These bed rails are intended to prevent an individual from inadvertently rolling out of bed. **DO NOT** use for restraint purposes.

When used with a manual/electrical bed, the bed rails DO NOT fall under any weight limitations. Bed rails can be deformed or broken if excessive side pressure is exerted on the bed rails. These bed rails are used for the purpose of preventing an individual from inadvertently rolling out of bed. The bed rails are NOT intended nor may be used for restraint purposes. If an individual is capable of injuring himself/herself, a physician or a healthcare professional should be consulted for alternative means of safe restraint.

ELECTRICAL WARNINGS

A safety feature of this product includes protection against overheating caused by excessive or extended periods of operation. Depending on the duration, this includes multiple or repeated adjustments or the use of multiple functions at one time. To ensure trouble free operation, always allow a slight pause between multiple adjustments and avoid pressing more than one function button at a time. If thermal protection activation should occur, the bed will not respond to pendant commands. Given this situation, release the pendant button and allow the bed unit to sit for several minutes. This will allow the protection function time to reset and restore bed function. Depending on severity of the initial overheating, this could take up to 30 minutes.

Allow a slight pause between adjustments and avoid pressing multiple buttons at the same time. If pendant buttons are depressed too rapidly or multiple buttons are pressed at the same time, the desired feature may not activate. Simply release the pendant button, permit a slight pause and then activate the next operation.

ALWAYS remove manual crank(s) before performing electronic functions. Otherwise, the crank(s) will turn when the motor is on and could cause personal injury or damage to the bed.

Always unplug the bed from the electrical outlet before cleaning.

DO NOT open assemblies such as the motors, pendant, junction boxes or gear boxes. No user serviceable parts are inside. Only qualified technicians are permitted to repair these parts. If unqualified individuals perform any work on these beds, the warranty is void.

DO NOT place pendant under or between objects. This may unintentionally press the buttons and may cause injury or damage.

Electronic equipment may be influenced by Radio Frequency Interference (RFI). Caution should be exercised with regard to the use of portable communications equipment in the area around such equipment. If RFI causes erratic behavior, unplug the electric bed IMMEDIATELY. Leave unplugged while transmission is in progress. Ensure all cables and cords are routed such that they will not become entangled or pinched. Otherwise damage or injury may result.

If a button on the pendant does not release or sticks, the bed spring will not stop moving.

If a liquid is spilled in or around the electric bed, unplug the electric bed before cleaning. Clean up the spill and allow the electric bed or the area around the electric bed to dry thoroughly before using the electric controls again.

Inspect the covering of the bed's control panel and the patient control panel to assure that the covering is not cracked or damaged.

Keep all electrical cords away from heated or hot surfaces.

Keep the cord away from heated surfaces.

NEVER operate if the unit has a damaged cord or plug. If it is not working properly, call a qualified technician for examination and repair.

NEVER operate this bed if it has a damaged cord or plug, if it is not working properly, if it has been dropped, damaged, or dropped into water. Return the bed to a service center for examination and repair.

On Full Electric beds, the Hi/Lo crank MUST be removed before the bed is used. Failure to remove the crank may cause damage or personal injury.

Refer servicing to qualified personnel only. Grounding reliability depends upon a properly grounded wall outlet. The pendant and power cords must be routed and secured properly to ensure that the cords DO NOT become entangled, pinched and/or severed during operation of the electric bed.

Unplug from the outlet before servicing.

Unplug the power cord from its power source before performing any maintenance on the manual/electric bed. DO NOT unplug the power cord from the junction box. Damage to cord will result.

Use caution when disconnecting the pendant. DO NOT press pendant buttons.

When bed is not to be used for an extended period, unplug electric bed from the wall outlet.

When using an extension cord, use only a three wire extension cord having at least 16 AWG (American Wire Gauge) wire and the same or higher electrical rating as the device being connected. Use of improper extension cord could result in a risk of fire and electric shock. Three to two prong adapters should not be used. Use of three prong adapters can result in improper grounding and present a shock hazard to the user.

When using nasal or masked type oxygen administering equipment, the oxygen or air tubing MUST be routed and secured properly to ensure that the tubing does not become entangled and/or severed during normal operation of the bed.

DO NOT use near explosive gases.

Possible fire hazard when used with oxygen administering equipment other than nasal or masked type.

Use masked or nasal type oxygen administering equipment only in conjunction with this bed. The use of ANY other type of oxygen administering equipment can result in a fire hazard.

OPERACIÓN Y AJUSTES

Este procedimiento incluye lo siguiente:
OPERACIÓN PARA MODELO TOTALMENTE ELÉCTRICO

Operación para modelo semi-eléctrico

Operación para cama manual

OPERACIÓN PARA MODELO TOTALMENTE ELÉCTRICO

1. Las fotos que se incluyen muestran en detalle las camas totalmente eléctricas y familiarizarán al usuario con las funciones y controles de la cama.
2. Cómo operar la cama durante todas las fases de su operación.
3. Si se presentan problemas durante las pruebas, verifique de nuevo las conexiones eléctricas y la instalación mecánica.
4. Las camas totalmente eléctricas usan un control de seis (6) funciones para la operación de la cama.
5. Todas las camas totalmente eléctricas cuentan con una manivela de emergencia para permitir su uso en caso de interrupción de suministro energético.

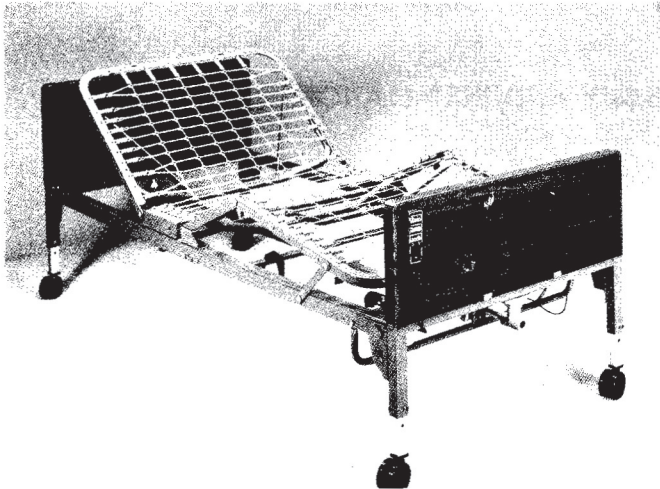
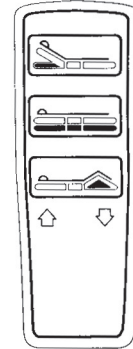


FIGURA 1 – CAMAS TOTALMENTE ELÉCTRICAS

LEVANTANDO Y BAJANDO TODA LA CAMA (CAMAS TOTALMENTE ELÉCTRICAS [FIGURA 2])

PARA LEVANTAR TOTALMENTE LAS CAMAS ELÉCTRICAS

Presione el botón "BED UP" (cama hacia arriba) como se muestra en el control remoto. Esto levantará toda la altura de la cama.



PARA BAJAR TOTALMENTE LAS CAMAS ELÉCTRICAS

Presione el botón "BED DOWN" (cama hacia abajo) como se muestra en el control remoto. Esto bajará toda la altura de la cama.

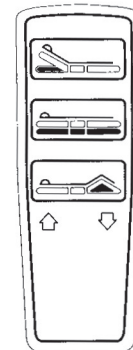


FIGURA 2 – SUBIENDO Y BAJANDO TODA LA CAMA (CAMAS TOTALMENTE ELÉCTRICAS).

ESPECIFICACIONES

EMPAQUE/ MANEJO

DESEMPACANDO EL PRODUCTO

1. Verifique que los componentes o la caja de la cama no estén dañados. Si detecta daños, póngase en contacto con su distribuidor local Drive.
2. Retire cualquier empaque suelto de las cajas.
3. Saque cuidadosamente todos los componentes de las cajas.

El contenido de las tres cajas es el siguiente:

1. Caja de la cabecera/piecera:

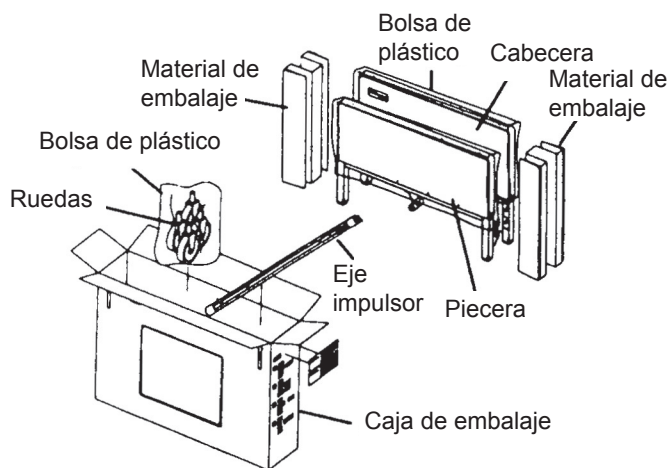
Una (1) cabecera.

Una (1) piecera (manivela montada en la cama no. 15003)

Un (1) montaje de eje impulsor de dos piezas.

Cuatro (4) ruedas (dos [2] con candado y dos [2] sin candado).

NOTA: Coloque a un lado el montaje del eje impulsor para las camas Nos. 15003, 15004, 15005



2. Caja con tambor de resortes para la piecera – modelos eléctricos (15012 o 15013):

Un (1) tambor de resortes eléctrico con caja de conexiones y cable.

Un (1) control remoto manual.

Un (1) soporte para el control remoto.

Una (1) manivela de emergencia.

PRECAUCIÓN

NO trate de activar los controles de la cama antes de terminar el montaje ya que esto puede dañar los componentes de la cama o se pueden presentar lesiones personales.

3. Caja con el tambor de resortes de la cabecera:

Un (1) tambor de resortes de la cabecera.

INSPECCIÓN

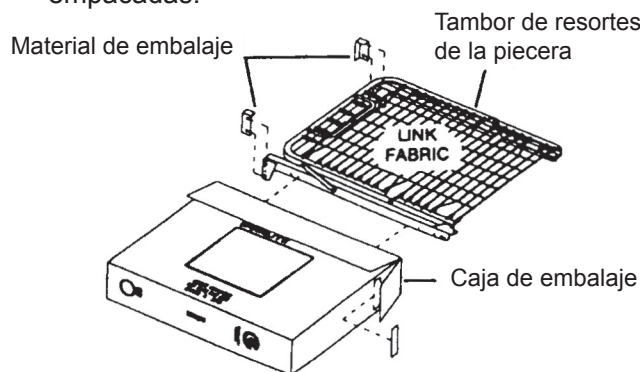
1. Examine cuidadosamente cada artículo para verificar que no existan ralladuras, hendiduras, dobleces o cualquier otro tipo de daño.

NOTA: Para camas semi-eléctricas y totalmente eléctricas:

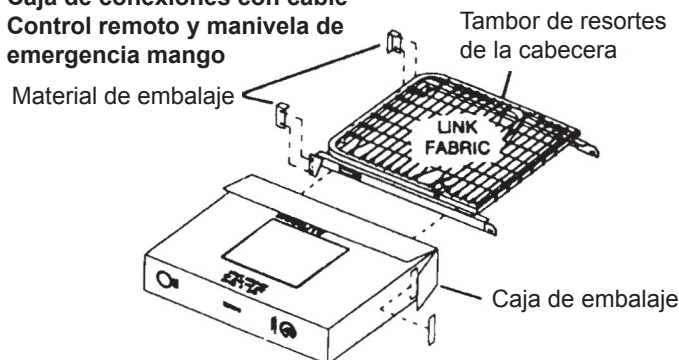
2. Inspeccione el cable de fuente de energía para verificar que el cable y/o enchufe no estén dañados.
3. Inspeccione la caja de conexiones para verificar que los conectores no estén dañados.
4. Asegúrese que los enchufes del motor estén en buenas condiciones de trabajo y que encajen adecuadamente dentro de la caja de conexiones.

ALMACENAJE

1. Si no va a armar la cama inmediatamente, conserve las cajas y el empaque durante el almacenaje hasta que realice el montaje.
2. Almacene la cama Drive completamente empacada en un área seca.
3. NO coloque otros objetos sobre las cajas empacadas.



No se muestra en la figura:
Caja de conexiones con cable
Control remoto y manivela de emergencia mango



MONTAJE

CONECTANDO LAS SECCIONES DE TAMBORES DE RESORTES (PARA CAMAS SEMI/TOTALMENTE ELÉCTRICAS Y MANUALES) (FIGURA 1)

1. Saque el tambor de resortes de la cabecera (Modelo 15008) de su empaque y colóquelo de costado a su izquierda con los pestillos de montaje centrales hacia su derecha.
 2. Saque el tambor de resortes de la piecera de su empaque y colóquelo de costado a su derecha con el tubo de tiro del tambor de resortes de la cabecera en la parte superior del montaje y los remaches de montaje centrales orientados hacia la izquierda.
 3. Para tambores de resortes de pieceras semi-eléctricas (15012) y totalmente eléctricas (15013) los motores deben estar a su derecha; para tambores de resortes de pieceras manuales (15009) los mangos de las manivelas deben estar hacia su derecha.
 4. El tambor de la cabecera y la piecera deben estar de costado y aproximadamente a 90° entre sí.
 5. Enganche la parte de abajo del ensamble central del tambor de resortes de la cabecera a la parte inferior central de los remaches del tambor de resortes de la piecera.
 6. Ganche los pestillos centrales de la parte de arriba del tambor de resortes de la cabecera a los pestillos superiores de la parte central del tambor de resortes de la piecera.
- NOTA: Puede ser necesario tener que levantar levemente el tambor de resortes de la piecera o de la cabecera para asegurar los remaches y pestillos.*
7. Después de que la piecera y la cabecera estén conectados, presione los resortes en una posición horizontal (recta) mientras están de costado.

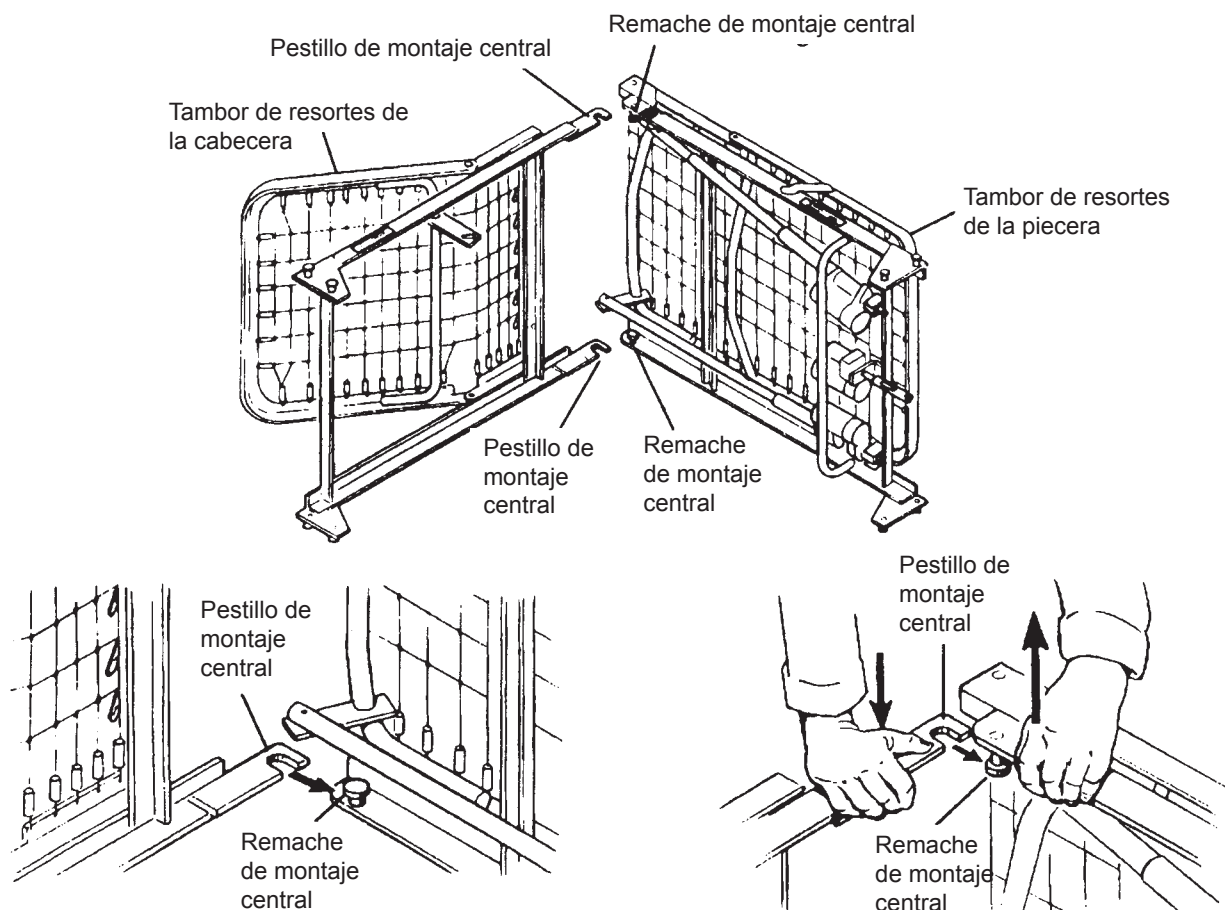


FIGURA 1 – CONECTANDO LAS SECCIONES DE TAMBORES DE RESORTE

MONTAJE

CONECTANDO LA TELA DE RESORTES (FIGURA 2)

1. Levante el tambor de resortes de la cabecera hacia arriba para poder introducir la tela, y conecte la tela de resortes junto con los eslabones que se incluyen.

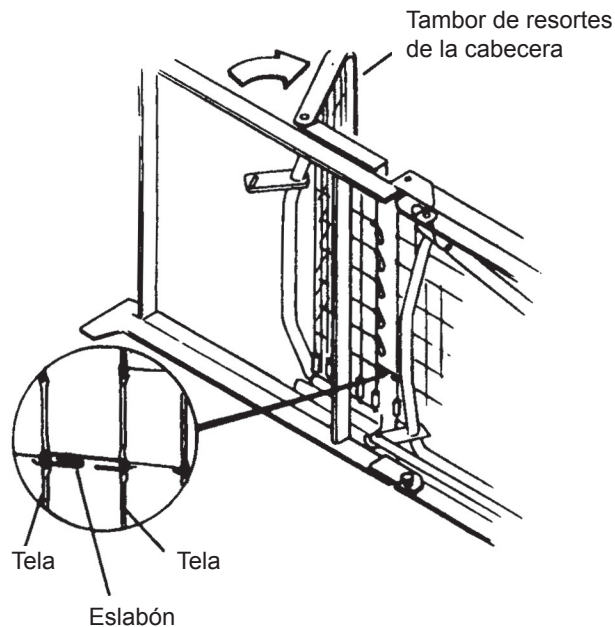


FIGURA 2 - CONECTANDO LA TELA DE RESORTES

AJUSTANDO Y RECONECTANDO EL TUBO DE TIRO DEL TAMBOR DE RESORTE DE LA CABECERA (FIGURA 3)

1. Para proporcionar un movimiento hacia arriba/abajo de la sección de la cabecera, desconecte el montaje del tubo de tiro de la cabecera del marco lateral del tambor de resortes de la piecera, esto se logra quitando la clavija de enganche, el anillo sujetador y la rondana del perno de horquilla.
2. Estire manualmente el tubo de tiro interno hasta que el botón de resorte "haga clic" dentro del orificio de ajuste del tubo de tiro externo.
3. El botón de resorte debe salir completamente por el orificio de ajuste y el perno de horquilla del brazo del tubo de tiro extendido se alinearán con la ranura del brazo elevador.
4. Conecte el montaje del tubo de tiro con el brazo elevador del tambor de resortes de la cabecera al introducir el perno de horquilla dentro de la ranura del brazo elevador; vuelva a conectar en anillo sujetador y la rondana. Asegúrelo con la clavija de enganche.

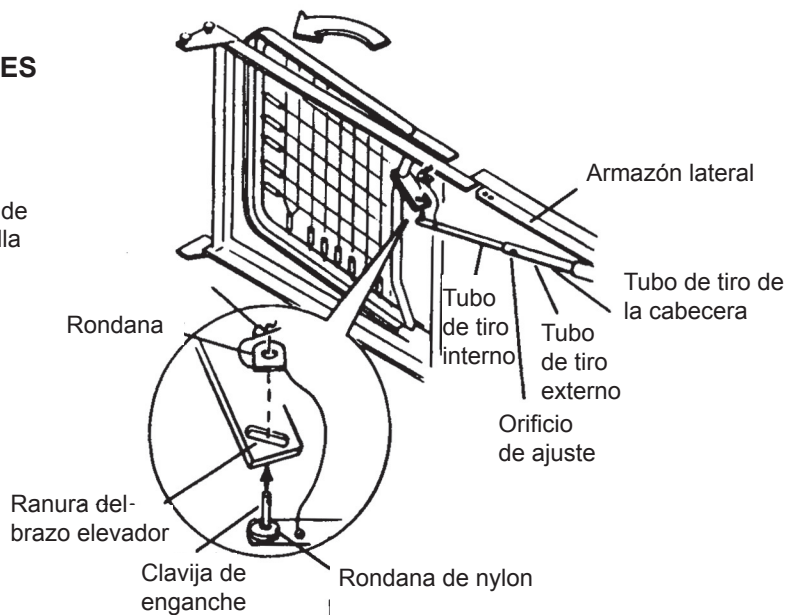


FIGURA 3 - AJUSTANDO Y RECONECTANDO EL TUBO DE TIRO DEL TAMBOR DE RESORTE DE LA CABECERA

MONTAJE

ENSAMBLANDO LOS EXTREMOS DE LA CAMA (FIGURA 4)

NOTA: Cuando esté conectando los extremos de la cama (cabecera y piecera), recuerde que la cabecera es la más alta.

1. Pare la cabecera lo más cerca posible del tambor de resortes de la cabecera.
2. Con una mano, agarre el armazón del tambor de resorte de la cabecera y levántelo hasta que los remaches en las esquinas del tambor estén a la altura correcta para introducirse dentro de las trabas de las esquinas de la cabecera.
3. Inclínele levemente la cabecera hacia atrás y los remaches deberán deslizarse dentro de las trabas de las esquinas más fácilmente.
4. Cuando regrese la cabecera a su posición vertical, la cabecera se asegurará en su lugar.
5. Repita el mismo procedimiento para la sección de la piecera.

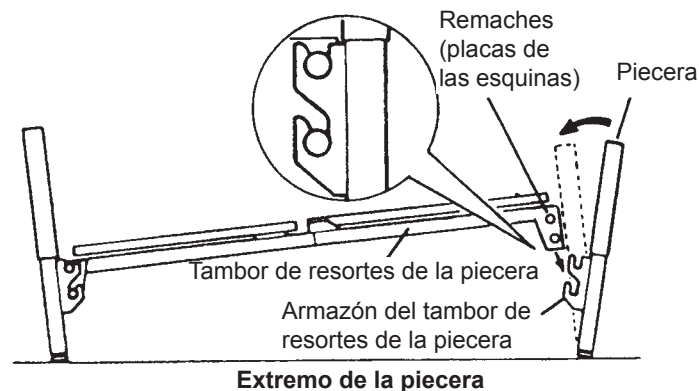
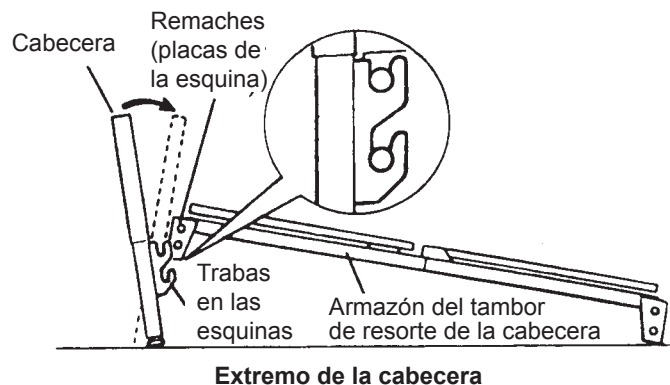


FIGURA 4 – ENSAMBLANDO LOS EXTREMOS DE LA CAMA

MONTAJE

INSTALANDO LAS RUEDAS (FIGURA 5)

1. Instale las ruedas al levantar cuidadosamente los extremos de la cama aproximadamente 5 pulgadas (12.7 cm) del piso e introduzca el eje de la rueda dentro del receptáculo de la rueda.

NOTA: Coloque las dos (2) ruedas con candado de manera diagonal y opuestas entre sí.

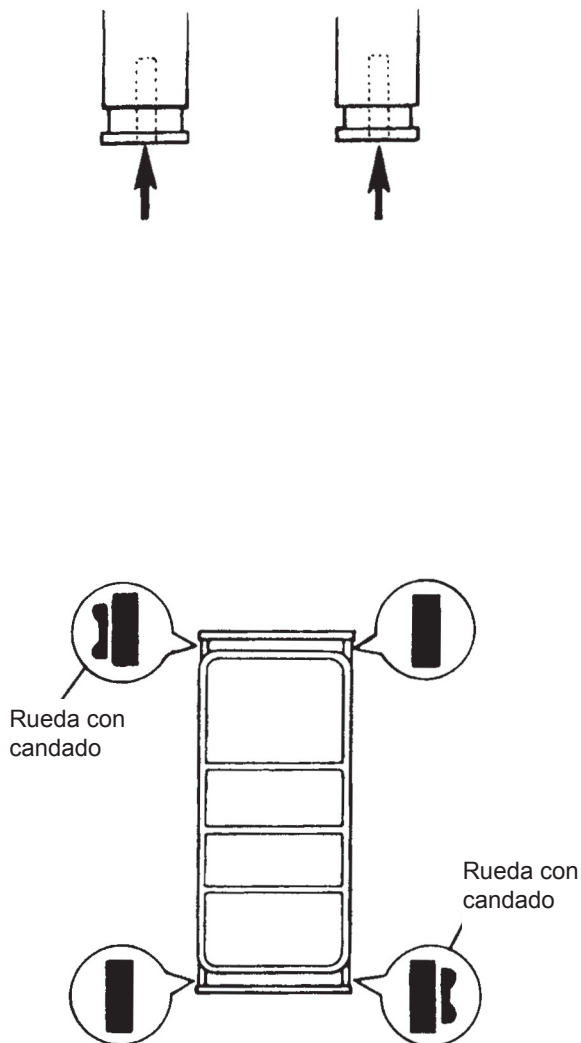


FIGURA 5 – INSTALANDO LAS RUEDAS

MONTAJE E INSTALACIÓN DEL EJE IMPULSOR (FIGURA 6)

El eje impulsor está compuesto de dos (2) secciones. La flecha interna la cual tiene un botón de colocación de resorte; y la flecha externa, la cual tiene dos (2) orificios para posición y un (1) orificio para almacenaje. Juntos, forman el eje impulsor telescópico drive que se usa en todos los modelos de las camas manuales y eléctricas Alto/Bajo.

1. Retire las tapas de plástico de cada extremo del eje impulsor.
2. Presione el botón de resorte del eje interior e introduzca el eje interior dentro del eje exterior.
3. Deslice el eje interior y colóquelo en la posición deseada dependiendo del tipo de cama y asegure el botón de resorte dentro del orificio adecuado.
4. Para camas semi-eléctricas y manuales, asegure el botón de resorte dentro del orificio de posicionamiento más lejano del eje externo.
5. Para modelos totalmente eléctricos, asegure el botón de resorte en el orificio de posicionamiento dentro del eje externo ubicado a un lado del orificio de posicionamiento para cama semi-eléctrica/manual.
6. Conecte el eje impulsor a la cama uniéndolo a cualquiera de los extremos del eje impulsor a la caja de engranes de la cabecera.
7. Conecte el otro extremo a la salida de la flecha del motor Alto/Bajo y luego conecte la salida de la flecha de la caja de engranes de la piecera al acoplador de resorte de la salida de la flecha del motor Alto/Bajo.
8. Desenganche el acoplador de resorte del eje impulsor al presionar contra el acoplador de resorte y girar en sentido de las manecillas del reloj.
9. El acoplador de resorte de la flecha de salida del motor Alto/Bajo debe desengancharse para poder conectarlo adecuadamente a la salida de la flecha de la caja de engranes de la piecera.
10. Esto se logra al presionar el acoplador de resorte de la flecha de salida del motor Alto/Bajo y girar en el sentido de las manecillas del reloj.
11. El acoplador se liberará y se enganchará al eje de salida de la piecera.
12. Asegúrese que todos los componentes estén instalados de manera segura.

MONTAJE

NOTA: Debido a que las camas semi-eléctricas, de manivela sencilla o doble y manuales no tienen un motor Alto/Bajo con funciones Alto/Bajo, el eje impulsor se montará directamente sobre el eje de salida de la caja de engranes de la cabecera.

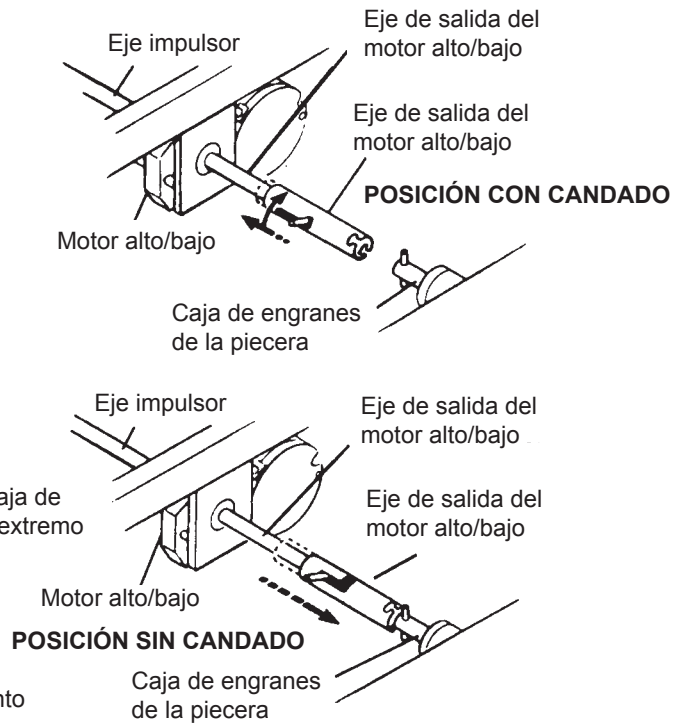
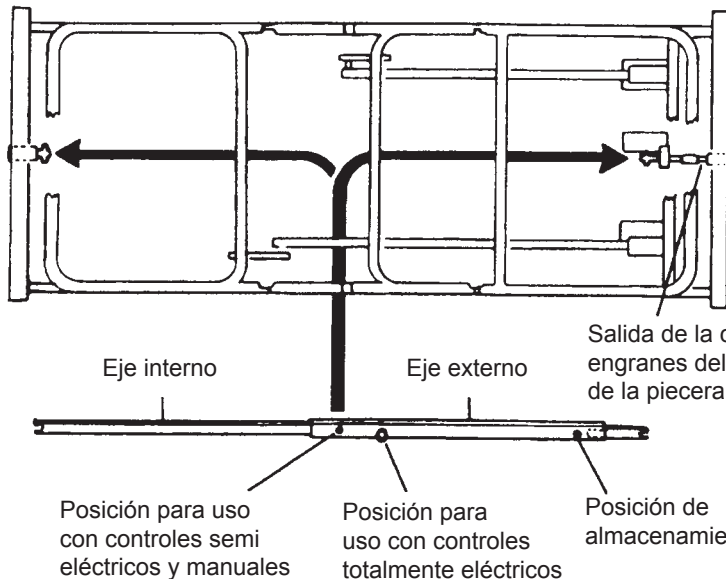


FIGURA 6 -MONTAJE E INSTALACIÓN DEL EJE IMPULSOR

ACTIVANDO LAS FUNCIONES DE LA CAMA (SOLAMENTE PARA CAMAS TOTALMENTE ELÉCTRICAS Y SEMI ELÉCTRICAS) (FIGURA 7)

1. Vuelva a verificar que las conexiones eléctricas de la caja de conexiones de la piecera estén conectadas en el lugar correcto.
2. Conecte el cable de la caja de conexiones en una toma de corriente de 110 volts y 60 ciclos.
3. Instale el sujetador del control remoto en un lugar adecuado para el usuario.

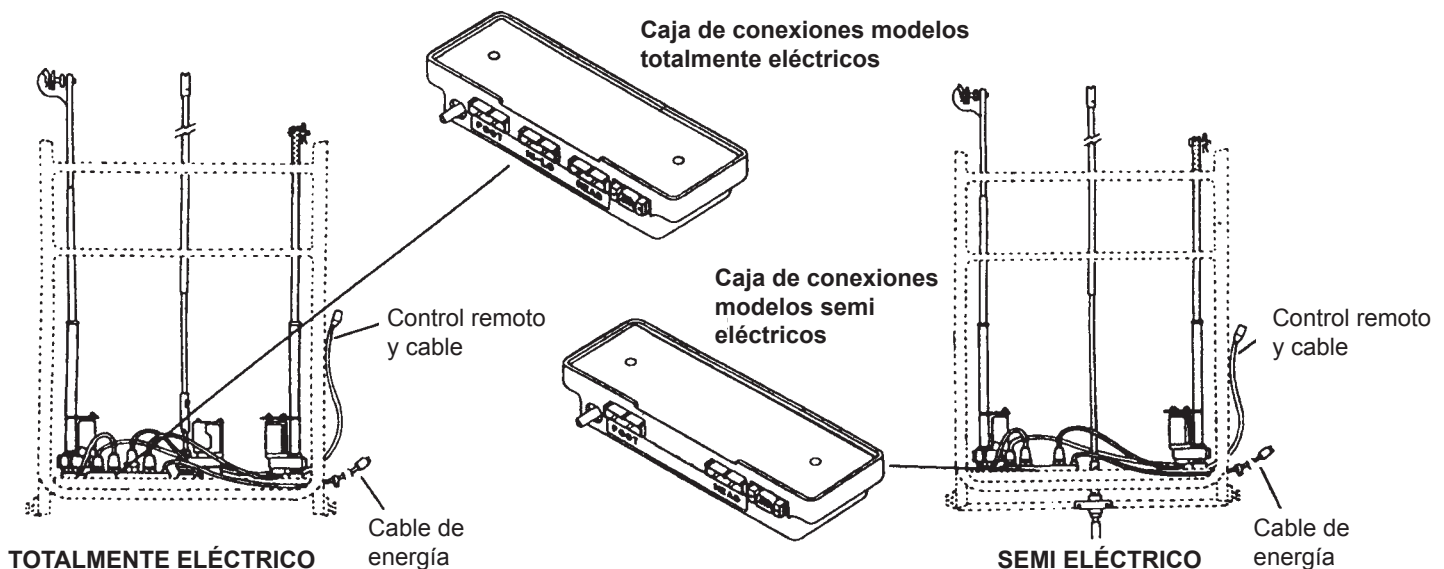


FIGURA 7 - ACTIVANDO LAS FUNCIONES DE LA CAMA (SOLAMENTE PARA CAMAS TOTALMENTE ELÉCTRICAS Y SEMI ELÉCTRICAS)

OPERACIÓN Y AJUSTES

Levantando y bajando las secciones de la cabecera y piecera (camas totalmente eléctricas [FIGURA 3])

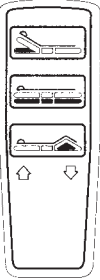
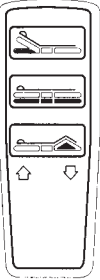
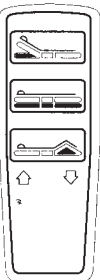
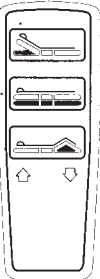
PARA LEVANTAR LA SECCIÓN DEL TAMBOR DE RESORTES DE LA CABECERA CAMAS TOTALMENTE ELÉCTRICAS	
Presione el botón "HEAD UP" (cabecera hacia arriba) como se muestra en el control remoto. Esto levantará SOLAMENTE la parte de la cabecera de la cama.	
PARA BAJAR LA SECCIÓN DEL TAMBOR DE RESORTES DE LA CABECERA CAMAS TOTALMENTE ELÉCTRICAS	
Presione el botón "HEAD DOWN" (cabecera hacia abajo) como se muestra en el control remoto. Esto bajará SOLAMENTE la parte de la cabecera de la cama.	
PARA LEVANTAR LA SECCIÓN DEL TAMBOR DE RESORTES DE LA PIECERA CAMAS TOTALMENTE ELÉCTRICAS	
Presione el botón "FOOT UP" (piecera hacia arriba) como se muestra en el control remoto. Esto levantará SOLAMENTE la parte de la piecera de la cama.	
PARA BAJAR LA SECCIÓN DEL TAMBOR DE RESORTES DE LA PIECERA CAMAS TOTALMENTE ELÉCTRICAS	
Presione el botón "FOOT DOWN" (piecera hacia abajo) como se muestra en el control remoto. Esto bajará SOLAMENTE la parte de la piecera de la cama.	

FIGURA 3 – LEVANTANDO Y BAJANDO LAS SECCIONES DE LA CABECERA Y PIECERA (CAMAS TOTALMENTE ELÉCTRICAS)

OPERACIÓN DE CAMA SEMI ELÉCTRICA

1. Las ilustraciones que se incluyen muestran en detalle las camas semi eléctricas con la ubicación de la manivela y del motor Alto/Bajo, si corresponden.
2. Las camas semi eléctricas con una o dos manivelas y operación Alto/Bajo usan un control remoto de cuatro (4) funciones para las funciones de la cabecera y de la piecera y el mango de manivela para la operación de Alto/Bajo.
3. Las camas semi eléctrica de altura fija cuentan con la opción de operación de la cabecera y piecera pero la altura en sí es fija y no puede alterarse.
4. Determine cuál es su cama semi eléctrica en particular para poder identificar las características de operación de su cama.
5. Cómo operar la cama durante todas las fases de su operación.
6. Si se presentan problemas durante las pruebas, verifique de nuevo las conexiones eléctricas y la instalación mecánica.
7. Todas las camas totalmente eléctricas cuentan con una manivela de emergencia para permitir su uso en caso de interrupción de suministro energético.

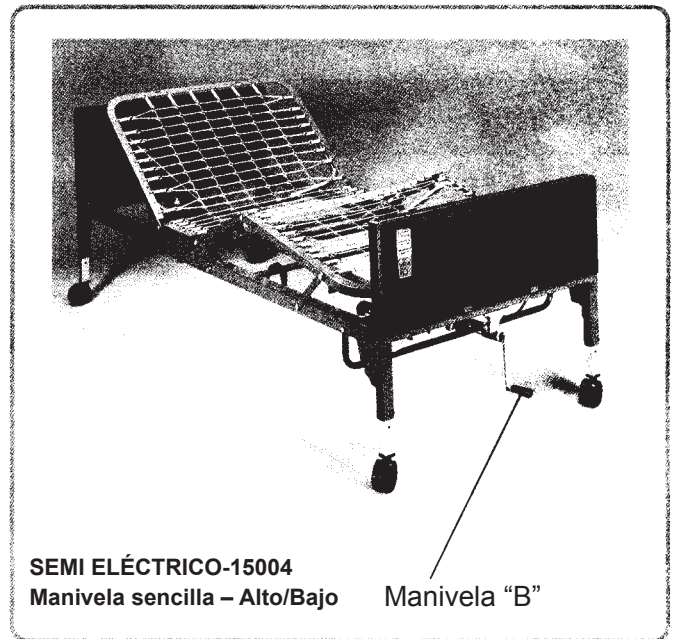


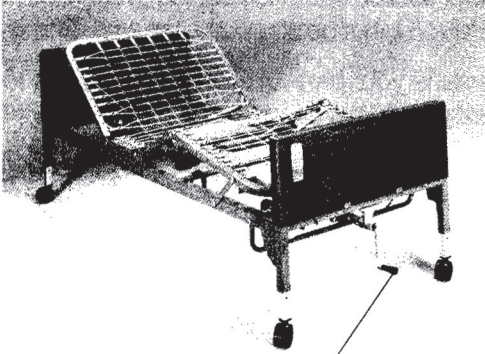
FIGURA 4 – OPERACIÓN SEMI ELÉCTRICA

OPERACIÓN Y AJUSTES

LEVANTANDO Y BAJANDO TODA LA CAMA (CAMAS SEMI ELÉCTRICAS [FIGURA 5])

PARA LEVANTAR TODA LA CAMA SEMI ELÉCTRICA

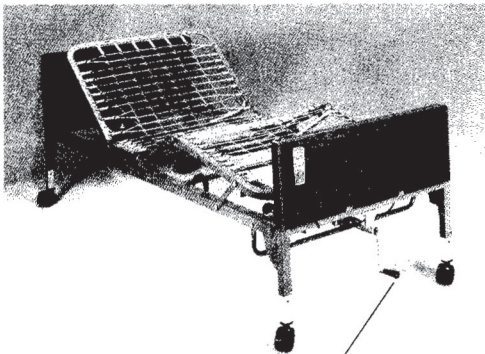
SEMI ELÉCTRICA CON MANIVELA SENCILLA ALTA/BAJA: Gire la manivela "B" en sentido de las manecillas del reloj. Esto levantará toda la altura de la cama.



Manivela "B"

PARA BAJAR TOTALMENTE TODA LA CAMA SEMI ELÉCTRICA

SEMI ELÉCTRICA CON MANIVELA SENCILLA ALTA/BAJA: Gire la manivela "B" en contra del sentido de las manecillas del reloj. Esto bajará toda la altura de la cama.



Manivela "B"

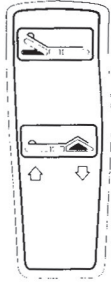
FIGURA 5 – LEVANTANDO Y BAJANDO TODA LA CAMA (CAMAS SEMI ELÉCTRICAS).

LEVANTANDO Y BAJANDO LAS SECCIONES DE LA CABECERA Y PIECERA. (CAMAS SEMI ELÉCTRICAS [FIGURA 6])

PARA LEVANTAR LA SECCIÓN DEL TAMBOR DE RESORTES DE LA CABECERA DE CAMAS SEMI ELÉCTRICAS

SEMI ELÉCTRICA CON MANIVELA SENCILLA ALTA/BAJA:

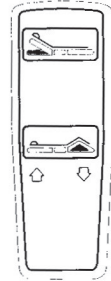
Presione el botón "HEAD UP" (cabecera hacia arriba) como se muestra en el control remoto. Esto levantará SOLAMENTE la porción de la cabecera.



PARA BAJAR LA SECCIÓN DEL TAMBOR DE RESORTES DE LA CABECERA DE CAMAS SEMI ELÉCTRICAS

SEMI ELÉCTRICA CON MANIVELA SENCILLA ALTA/BAJA:

Presione el botón "HEAD DOWN" (cabecera hacia abajo) como se muestra en el control remoto. Esto bajará SOLAMENTE la porción de la cabecera.



PARA LEVANTAR LA SECCIÓN DEL TAMBOR DE RESORTES DE LA PIECERA DE CAMAS SEMI ELÉCTRICAS

SEMI ELÉCTRICA CON MANIVELA SENCILLA ALTA/BAJA:

Presione el botón "FOOT UP" (piecera hacia arriba) como se muestra en el control remoto. Esto levantará SOLAMENTE la parte de la piecera de la cama.



PARA BAJAR LA SECCIÓN DEL TAMBOR DE RESORTES DE LA PIECERA DE CAMAS SEMI ELÉCTRICAS

SEMI ELÉCTRICA CON MANIVELA SENCILLA ALTA/BAJA:

Presione el botón "FOOT DOWN" (piecera hacia abajo) como se muestra en el control remoto. Esto bajará SOLAMENTE la parte de la piecera de la cama.

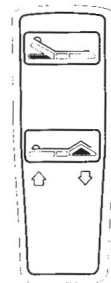


FIGURA 6 – LEVANTANDO Y BAJANDO LAS SECCIONES DE LA CABECERA Y PIECERA (CAMAS SEMI ELÉCTRICAS Y UNA Y DOS MANIVELAS ALTO/BAJO)

NOTA: Recuerde que si una cama totalmente eléctrica o semi eléctrica falla, es posible operarla manualmente usando la manivela de emergencia que se proporciona.

OPERACIÓN Y AJUSTES

OPERACIÓN DE CAMA MANUAL (FIGURA 7)

1. Las ilustraciones que se incluyen muestran en detalle los modelos de cama manual y la ubicación de la manivela alto/bajo, si corresponde.
2. Determine cuál es su cama en particular para poder identificar las características de operación de su cama.
3. Como operar la cama durante todas las fases de su operación.
4. Si se presentan problemas durante las pruebas, verifique de nuevo todas las conexiones mecánicas.

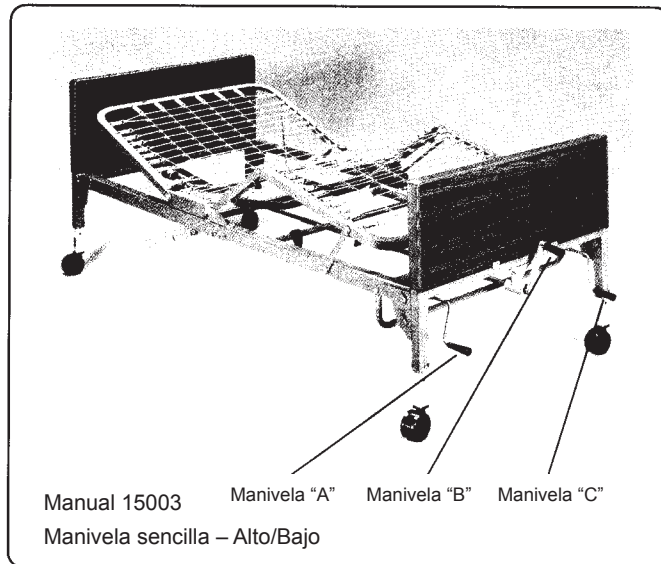


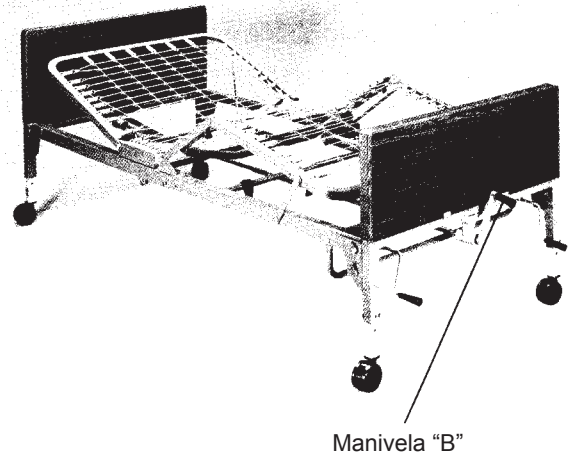
FIGURA 7 – OPERACIÓN DE CAMA MANUAL

LEVANTANDO Y BAJANDO TODA LA CAMA (CAMAS MANUALES [FIGURA 8])

PARA LEVANTAR TODA LA CAMA – CAMAS MANUALES

MANUAL CON MANIVELA SENCILLA ALTA/BAJA:

Gire la manivela "B" en sentido de las manecillas del reloj.
Esto levantará toda la altura de la cama.



PARA BAJAR TODA LA CAMA – CAMAS MANUALES

MANUAL CON MANIVELA SENCILLA ALTA/BAJA:

Gire la manivela "B" en contra del sentido de las manecillas del reloj. Esto bajará toda la altura de la cama.

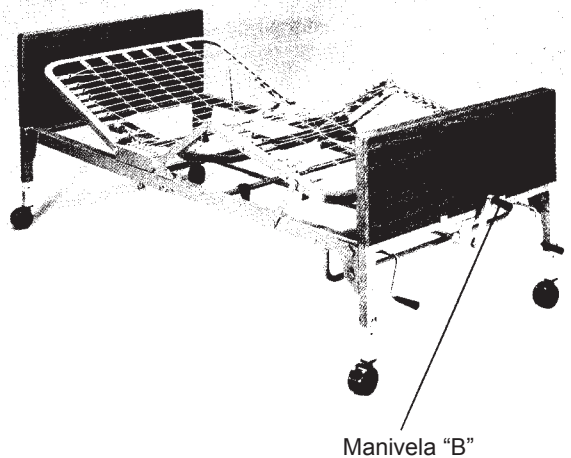


FIGURA 8 – LEVANTANDO Y BAJANDO TODA LA CAMA (CAMAS MANUALES).

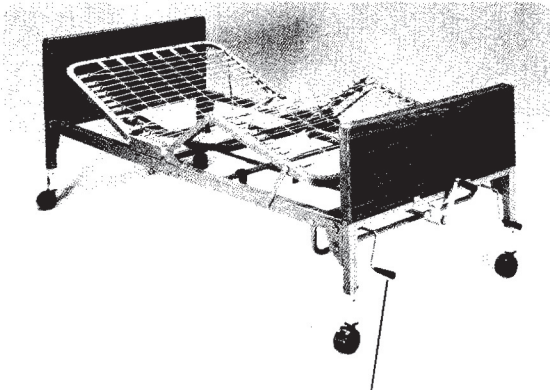
OPERACIÓN Y AJUSTES

LEVANTANDO Y BAJANDO LA SECCIÓN DE LA CABECERA (FIGURA 9A)

PARA LEVANTAR LA SECCIÓN DEL TAMBOR DE RESORTES DE LA CABECERA - CAMAS MANUALES

MANUAL CON MANIVELA SENCILLA ALTA/BAJA:

Gire la manivela "A" en sentido de las manecillas del reloj. Esto levantará SOLAMENTE la parte de la cabecera de la cama.

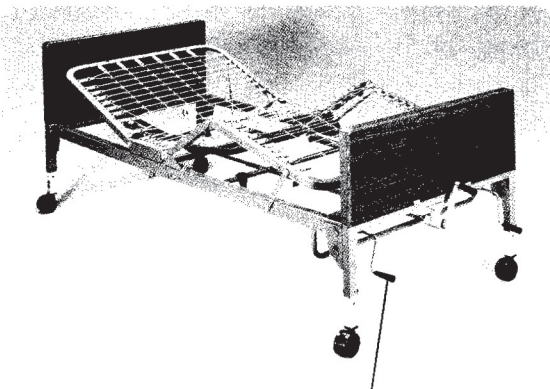


Manivela "A"

PARA BAJAR LA SECCIÓN DEL TAMBOR DE RESORTES DE LA CABECERA - CAMAS MANUALES

MANUAL CON MANIVELA SENCILLA ALTA/BAJA

Gire la manivela "A" en contra del sentido de las manecillas del reloj. Esto bajará SOLAMENTE la parte de la cabecera de la cama.



Manivela "A"

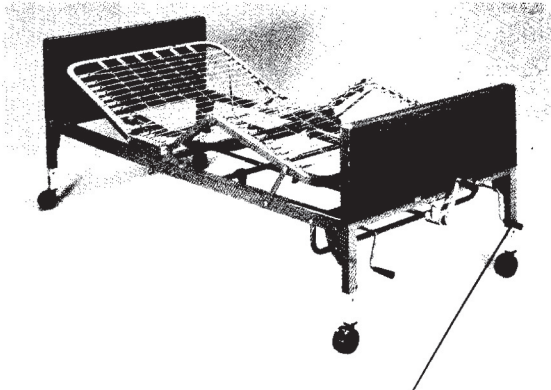
FIGURA 9A - LEVANTANDO Y BAJANDO LA SECCIÓN DE LA CABECERA

LEVANTANDO Y BAJANDO LA SECCIÓN DE LA PIECERA (FIGURA 9 B)

PARA LEVANTAR LA SECCIÓN DEL TAMBOR DE RESORTES DE LA PIECERA - CAMAS MANUALES

MANUAL CON MANIVELA SENCILLA ALTA/BAJA:

Gire la manivela "C" en sentido de las manecillas del reloj. Esto levantará SOLAMENTE la parte de la piecera de la cama.

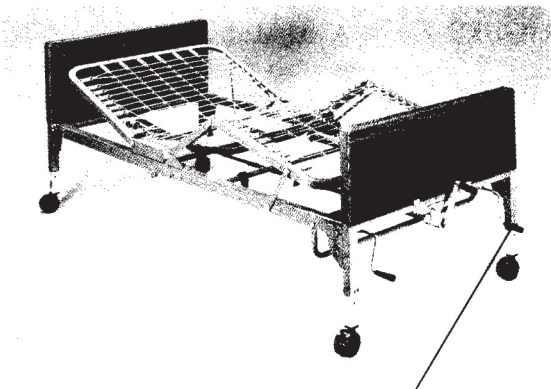


Manivela "C"

PARA BAJAR LA SECCIÓN DEL TAMBOR DE RESORTES DE LA PIECERA - CAMAS MANUALES

MANUAL CON MANIVELA SENCILLA ALTA/BAJA:

Gire la manivela "C" en contra del sentido de las manecillas del reloj. Esto bajará SOLAMENTE la parte de la piecera de la cama.



Manivela "C"

FIGURA 9B - LEVANTANDO Y BAJANDO LA SECCIÓN DE LA PIECERA

MANTENIMIENTO E INSPECCIONES DE SEGURIDAD

Drive recomienda que se realicen los siguientes procedimientos de mantenimiento y limpieza entre usuarios.

ELECTRÓNICA

- Cheque todos los controles para asegurar que todas las funciones trabajen adecuadamente.
 - Control de la piecera
 - Control de la cabecera
 - Alto/Bajo
- Verifique todos los cables para identificar alambres dañados o rotos.
 - Cable de energía
 - Cable del control remoto
- Asegúrese que todos los enchufes estén conectados o insertados completamente.

Armazón de la cama y área para dormir

- Verifique visualmente todas las soldaduras
 - Sección de la cabecera
 - Sección de la piecera
 - Armazón principal
- Inspeccione las uniones entre las secciones de la superficie para dormir para verificar que no existan sujetadores sueltos.

Limpieza

- Las partes de metal de la cama están cubiertas con un recubrimiento en polvo. Limpie todas las partes con una solución de agua tibia y detergente suave. Con frecuencia levante las secciones de la cabecera y piecera y retire el polvo del armazón. Además, quite el colchón y limpie la plataforma del colchón periódicamente.

Lubricación y mantenimiento mecánico

- Engrase ligeramente las roscas del tornillo actuador con grasa de litio blanca
- Lubrique todos los rodillos y cojinetes giratorios de las ruedas con aceite para máquinas.
- Verifique que todos los pernos estén suficientemente apretados.

GARANTÍA

Garantía de por vida en soldaduras.

Cinco años de garantía en el armazón.

Un año de garantía en todas las otras partes y componentes.

Durante el periodo de garantía, los artículos defectuosos serán reparados o reemplazados gratuitamente a discreción de Drive.

ADVERTENCIAS GENERALES

NO use este producto ni cualquier equipo opcional disponible sin primero leer y comprender en su totalidad estas instrucciones y cualquier material de instrucciones adicionales, como lo son los manuales del usuario, los manuales de servicio o las hojas de instrucciones proporcionadas con este producto o el equipo adicional. Si no es capaz de entender las advertencias, las precauciones o las instrucciones, póngase en contacto con un profesional de salud, un distribuidor o con personal técnico antes de tratar de usar este equipo, de no ser así, se pueden presentar lesiones u ocasionar daños.

Lea todas las instrucciones antes de utilizar la cama.

Consulte los manuales del usuario para las camas y los barandales para ver la información adicional de seguridad y del producto.

Después de hacer cualquier ajuste, reparación o servicio y antes de su uso, asegúrese de que todos los herrajes adjuntos se hayan apretado de forma segura.

Después de armar la cama, revise la cama para asegurarse de que todas las secciones de la cama se colocaron y aseguraron en su lugar antes de su uso.

Utilice en TODO MOMENTO el bloqueo de las ruedas excepto cuando mueva la cama.

El peso corporal deberá distribuirse uniformemente sobre la superficie de la cama. NO se acueste, siente o incline de cierta forma de manera que todo el peso corporal se coloque solamente en las secciones elevadas de la cabeza o los pies de la cama. Esto incluye cuando se proporciona asistencia al usuario para cambiarlo de posición o transferirlo hacia o fuera de la cama.

Inspeccione todas las partes antes de usarlas para asegurarse que no se hayan dañado durante el envío o al ponerse a prueba. NO la utilice en caso de daño. Póngase en contacto con un técnico calificado para recibir instrucciones adicionales.

La cama debe supervisarse de cerca cuando se utilice por o cerca de niños o individuos físicamente discapacitados.

NO permita que ningún individuo se coloque debajo de la cama ni entre los componentes elevados del armazón de la cama en ningún momento.

NO permita más de una sola persona a la vez en o

sobre la cama en ningún momento.

NO lo use al aire libre.

NO use este producto ni cualquier equipo opcional disponible sin primero leer y comprender en su totalidad estas instrucciones y cualquier material de instrucciones adicionales, como lo son los manuales del usuario, los manuales de servicio o las hojas de instrucciones proporcionadas con este producto o el equipo adicional. Si no es capaz de entender las advertencias, las precauciones o las instrucciones, póngase en contacto con un profesional de salud, un distribuidor o con personal técnico antes de tratar de usar este equipo, de no ser así, se pueden presentar lesiones u ocasionar daños.

Solo para distribuidores - Las instrucciones para la configuración y armado se encuentran en la parte trasera de este manual. Estos procedimientos solo deben ser realizados por técnicos de servicio especializado.

La versión de marzo de 2006 de las pautas de seguridad para camas de la FDA son publicadas por Hospital Bed Safety Workgroup. La revisión más reciente de este documento está disponible en <http://www.fda.gov>.

Si la unidad no funciona adecuadamente, llame a un técnico calificado para que la revise y repare.

Los productos Drive Medical están diseñados y fabricados específicamente para usarse conjuntamente con accesorios Drive Medical. Los accesorios diseñados por otros fabricantes no se han sometido a pruebas por Drive Medical y no se recomienda su uso con los productos Drive Medical.

Mantenga todas las partes móviles, entre las que se incluyen: el armazón principal, la plataforma del colchón (secciones/resortes de la cabecera y pies) y todos los ejes impulsores libres de obstrucciones (p.ej: cobijas/sábanas, cobijas/almohadillas térmicas, tubos, cables, etc. y otro tipo de productos que usan cables eléctricos que puedan enredarse alrededor de la cama, barandales laterales o patas) durante el funcionamiento de la cama.

Mantenga el producto a una distancia mínima de 12 pulgadas de cualquier fuente directa de calor.

Asegúrese de que las secciones/resortes de la cabecera y de los pies estén conectados de forma segura a los

extremos de la cama universal antes de su uso.

Puede ser necesario que los individuos con limitaciones físicas que no les permiten darse la vuelta o bajarse de la cama requieran otros medios de seguridad.

Otros procedimientos, con excepción de los descritos en este manual, deben ser realizados por un técnico calificado.

Riesgo de lesión a personas - NO coloque equipo de video, como televisiones o monitores de computadora sobre la cama.

NUNCA permita que los pacientes utilicen unidades de trapecio o tracción como todo el soporte de peso del individuo.

Las unidades de trapecio se utilizan solamente para ayudar al paciente a cambiar de posición o transferirlo hacia o fuera de la cama.

Las unidades de trapecio deben colocarse en un extremo de la cama universal lo más cercano al punto central del extremo de la cama.

La cama no está diseñada para utilizarse para el transporte del paciente. Al transportar un paciente utilice una forma de transporte de paciente aprobada. El no hacerlo puede ocasionar lesiones o daños.

Puede que la cama esté equipada con bloqueo de ruedas. Bloquee en todo momento las ruedas al transferir el paciente hacia o fuera de la cama. Inspeccione el buen funcionamiento de los bloqueos de las ruedas antes de utilizar la cama. Aun cuando las ruedas estén bloqueadas adecuadamente, algunas superficies del suelo como mosaico o madera, permitirán que la cama se mueva bajo algunas condiciones. El uso sobre estas superficies debe ser evaluado por el proveedor de atención.

La configuración inicial de esta unidad debe de realizarse por un técnico de servicio especializado.

El límite total de peso de la cama manual/eléctrica Drive Medical de 36 pulg (91.4 cm) de ancho (incluyendo accesorios, colchón, ocupante y cualquier otra persona/objeto colocado sobre la cama) es de 450 libras (204 kg); peso del paciente de 350 libras (158 kg).

Utilice esta cama sólo para el uso que se describe en estas instrucciones. NO utilice accesorios que no son recomendados por el fabricante.

Después de levantar/bajar el extremo de la cabecera/

pies, revise la distancia entre la parte inferior del barandal de la cama y el colchón. Si existe una distancia excesiva entre la parte inferior del barandal de la cama y el colchón en donde se puedan enredar individuos, ajuste la altura del barandal de la cama (si corresponde), o proporcione otro medio de protección para el paciente.

Una vez que la evaluación del paciente concluya que el estado del paciente incrementa la posibilidad de quedar atrapado, la cama DEBE estar en posición plana cuando se deje sin supervisión.

Se requiere una evaluación y monitoreo adecuado del paciente, al igual que el mantenimiento y uso del equipo para reducir el riesgo de quedar atrapado. La variaciones en las dimensiones del barandal de la cama, el grosor del colchón, el tamaño y la densidad podría aumentar el riesgo de quedar atrapado. Visite el sitio de la FDA en <http://www.fda.gov> para obtener información de los riesgos de quedar atrapado.

No son intercambiables los colchones y barandales laterales de la cama con dimensiones diferentes a las del equipo original proporcionado o especificado por el fabricante del armazón de la cama. Las variaciones en el diseño, ancho y grosor del barandal lateral de la cama o la firmeza del colchón podrían ocasionar o contribuir a quedar atrapado. Utilice solamente piezas y/o accesorios de reemplazo autorizados de Drive Medical, de no ser así se anula la garantía. Drive Medical no será responsable por ningún daño o lesión que pudiera resultar.

Para reducir el riesgo de quedar atrapado asegúrese de que el refuerzo transversal del barandal de la cama NO exceda el ancho del colchón. El colchón DEBE ajustarse al armazón de la cama y a los barandales de la cama para reducir el riesgo de que el paciente quede atrapado.

Al tener la cama en funcionamiento, asegúrese SIEMPRE de que el individuo que utiliza la cama esté posicionado adecuadamente dentro de los confines de la cama. NO permita que ninguna de las extremidades sobresalga por los costados o entre los barandales de la cama al realizar estas funciones.

Drive Medical recomienda que el colchón esté centrado sobre el armazón de la cama. De no ser así, los individuos se podrán atorar entre los barandales y el armazón de la cama.

El colchón DEBE ajustarse al armazón de la cama y a

los barandales de la cama para reducir el riesgo de que el paciente quede atrapado.

GUARDE ESTAS INSTRUCCIONES

NOTA: Versiones actualizadas de este manual las puede encontrar en www.Drive Medical.com

ADVERTENCIAS DE LOS BARANDALES DE LA CAMA

Los barandales de asistencia con dimensiones diferentes al equipo original proporcionado o especificado por el fabricante de la cama pueden no ser intercambiables y podrían resultar en quedar atrapado o en otro tipo de lesión.

Aun cuando los barandales de la cama no están clasificados para cierto límite de peso, los barandales se pueden deformar o romper si se aplica presión excesiva sobre los mismos. El barandal de la cama no es un barandal para ayudar a subirse o bajarse de la cama. NO utilice los barandales de cama como agarraderas para desplazar la cama.

Revise siempre que los barandales laterales estén asegurados adecuadamente en su lugar antes de utilizar la cama.

NO instale los barandales opcionales de la cama sin antes leer y entender todas las instrucciones en la hoja de instrucciones que se incluye en el kit del barandal.

NO utilice los barandales laterales como agarraderas para desplazar la cama.

Estos barandales están diseñados para evitar que los individuos se caigan inadvertidamente de la cama NO lo use para propósitos de restricción.

Cuando se utiliza con una cama manual/eléctrica, los barandales de la cama NO se clasifican debajo de alguna limitación de peso. Los barandales de la cama se pueden deformar o romper si se aplica presión excesiva sobre los barandales. Estos barandales se utilizan con el propósito de evitar que los individuos se caigan inadvertidamente de la cama. Estos barandales de la cama NO están diseñados ni pueden utilizarse para propósitos de restricción. Si un individuo es capaz de lesionarse el mismo, se deberá consultar con un médico o profesional de salud sobre medios alternos de restricción seguros.

ADVERTENCIAS ELÉCTRICAS

Una opción de seguridad de este producto incluye la protección contra el sobrecalentamiento ocasionado por periodos de funcionamiento excesivos o prolongados. Dependiendo de la duración, esto incluye ajustes múltiples o repetitivos o el uso de funciones múltiples a la misma vez. Para asegurar un funcionamiento sin problemas, proporcione en todo momento una pausa leve entre ajustes múltiples y evite presionar más de un botón a la vez. Si se presenta la activación del protector térmico, la cama no responderá a los comandos del control remoto. Si se presenta esta situación, libere el botón del control remoto y permita que la cama repose por varios minutos. Esto dará tiempo para que la función de protección se restablezca y se restablezca la función de la cama. Dependiendo de la severidad del sobrecalentamiento inicial, esto podría tardar hasta 30 minutos.

Permita una leve pausa entre ajustes y evite presionar varios botones a la misma vez. Si se presionan los botones del control remoto muy rápido o se presionan varios botones a la misma vez, puede que no se active la opción deseada. Simplemente deje de presionar el botón del control, permita una pausa breve y luego active la siguiente operación.

Quite SIEMPRE las manijas manuales antes de realizar funciones electrónicas. De no ser así, las manijas girarán cuando se encienda el motor y podrían ocasionar lesiones personales o daños a la cama.

Desconecte siempre la cama de la toma de corriente eléctrica antes de su limpieza.

NO abra los montajes como los del motor, control remoto, cajas de conexiones o caja de engranes. No se incluyen piezas de repuesto. Solo los técnicos de servicio especializado tiene permitido reparar estas piezas. Si personas sin el servicio especializado hacen reparaciones en estas camas se anula la garantía.

NO coloque el control remoto debajo o entre objetos. Esto puede hacer que los botones se presionen accidentalmente y podría ocasionar lesiones o daños.

El equipo electrónico podría ser influenciado por la Interferencia de Frecuencia de Radio (RFI). Debe tener precaución con respecto al uso de equipo portátil de comunicaciones en el área alrededor de dicho equipo. Si la RFI ocasiona un comportamiento errático, desconecte INMEDIATAMENTE la cama eléctrica. Déjela desconectada mientras la transmisión está en progreso.

Asegúrese que todos los cables y cordones estén orientados de una forma que no se enreden o pellizquen. El no hacerlo puede ocasionar lesiones o daños.

Si un botón del control remoto se queda pegado el resorte de la cama no se dejará de mover.

Si vierte un líquido en o alrededor de la cama eléctrica, desconecte la cama eléctrica antes de limpiarla. Limpie el derrame y permita que la cama eléctrica o el área aledaña a la cama eléctrica se seque completamente antes de utilizar de nuevo los controles eléctricos.

Inspeccione la cubierta del panel de control de la cama y el panel de control del paciente para asegurarse de que la cubierta no esté agrietada o dañada.

Mantenga todos los cables eléctricos alejados de superficies calientes.

Mantenga el cable alejado de superficies calientes.

NUNCA ponga en funcionamiento la unidad si tiene un cable o enchufe dañado. Si no funciona adecuadamente, llame a un técnico de servicio especializado para que la revise y repare.

NUNCA ponga en funcionamiento la cama si tiene el cable o el enchufe dañado, si no está funcionando adecuadamente, si se ha caído o dañado, o si se ha caído dentro del agua. Regrese la cama a un centro de servicio para que sea examinada y reparada.

En las camas completamente eléctricas, la manija Hi/Lo DEBE quitarse antes de utilizar la cama. Si no quita la manija se pueden ocasionar daños o lesiones personales.

Busque solamente el servicio de personal calificado. La confiabilidad de la conexión a tierra depende meramente en una toma de pared con la conexión a tierra adecuada.

El control remoto y los cables de alimentación deben estar dirigidos y asegurados adecuadamente para asegurarse de que los cables NO se enreden, pellizquen y/o dañen durante el funcionamiento de la cama eléctrica.

Desconéctela de la toma antes de darle servicio.

Desconecte el cable de suministro de su fuente de alimentación antes de realizar cualquier tipo de mantenimiento en la cama manual/eléctrica. NO desconecte el cable de suministro de la caja de conexiones. Esto resultará en daños al cable.

Tenga precaución al desconectarlo del control remoto. NO presione los botones del control remoto.

Cuando la cama no se va a utilizar por un largo periodo de tiempo, desconecte la cama de la toma de la pared.

Cuando utilice una extensión eléctrica, utilice solamente una extensión eléctrica de tres cables con un cable de al menos 16 AWG (American Wire Gauge) y la misma o mayor clasificación eléctrica que la del dispositivo a donde está conectado. El uso de una extensión eléctrica inadecuada podría resultar en riesgo de incendio o descarga eléctrica. No se deben utilizar adaptadores de tres a dos clavijas. El uso de adaptadores de tres clavijas puede resultar en la conexión a tierra inadecuada y presentar un riesgo de descarga al usuario.

Al utilizar un equipo nasal o con mascarilla para administrar oxígeno, el oxígeno o el tubo de aire DEBE dirigirse y asegurarse adecuadamente para asegurarse de que el tubo no se enrede y/o rompa durante el funcionamiento normal de la cama.

NO la utilice cerca de gases explosivos.

Existe la posibilidad de incendio cuando se utiliza con equipo de suministro de oxígeno diferente al tipo nasal o de mascarilla.

Utilice solamente equipo para suministro de oxígeno nasal o de mascarilla conjuntamente con esta cama. El uso de CUALQUIER otro tipo de equipo de suministro de oxígeno puede resultar en un riesgo de incendio.

Antes de conectar/desconectar las conexiones en la caja de conexiones, asegúrese de quitar el candado del cable al presionar levemente en las lengüetas de los extremos y levantar. Después de conectar los conectores, dirija todos los cables por las ranuras del candado del cable y cierre el candado del cable en su lugar. Al instalar el conector dentro de la caja de conexiones, asegúrese que el bloqueo del cable esté asegurado después de la instalación – de otra manera se pueden presentar daños o lesiones.

NO forcé el conector dentro de la caja de conexiones - de hacerlo puede resultar en lesiones o daños.

NO desconecte el cable de suministro de la caja de conexiones.

NO desconecte el cable de suministro de la carcasa del motor.

SPÉCIFICATIONS

EMBALLAGE / MANUTENTION

DÉBALLAGE

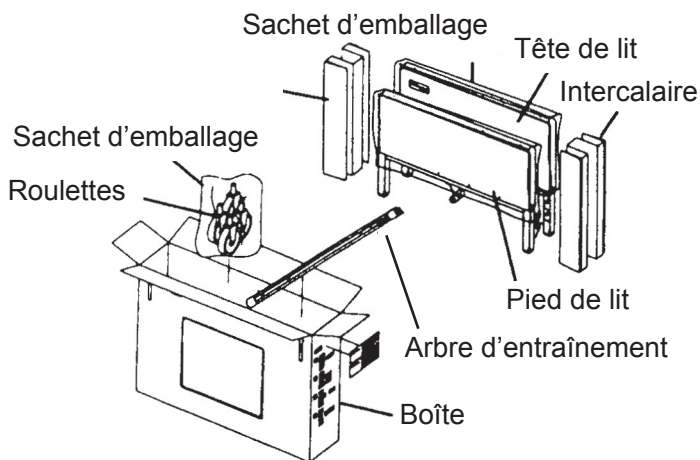
1. Vérifiez tous l'emballage et tous les composants.
Si vous notez la présence de dommages, communiquez avec votre revendeur Drive.
2. Retirez les matériaux d'emballage des boîtes.
3. Retirez avec soins tous les composants des boîtes.

Les trois boîtes contiennent les composants suivants:

1. Boîte de la tête et du pied de lit :

- Une (1) tête de lit.
- Un (1) pied de lit (manivelle installée pour le lit no. 15003).
- Un (1) arbre d'entraînement (deux pièces).
- Quatre (4) roulettes (deux (2) roulettes verrouillables et deux (2) libres).

Mettez l'arbre d'entraînement de côté pour les lits no. 15003, 15004, 15005.



2. Boîte du sommier à lattes, section de pied – modèles électriques (15012 ou 15013) :

- Un (1) sommier à lattes, section de pied, avec boîte de connexion et cordon.
- Une (1) commande manuelle
- Un (1) support pour la commande
- Une (1) manivelle d'urgence

MISE EN GARDE

N'UTILISEZ PAS la commande électrique avant d'avoir complété le montage du lit. Vous risqueriez d'endommager le lit et de vous blesser.

3. Boîte du sommier à lattes, section de tête:

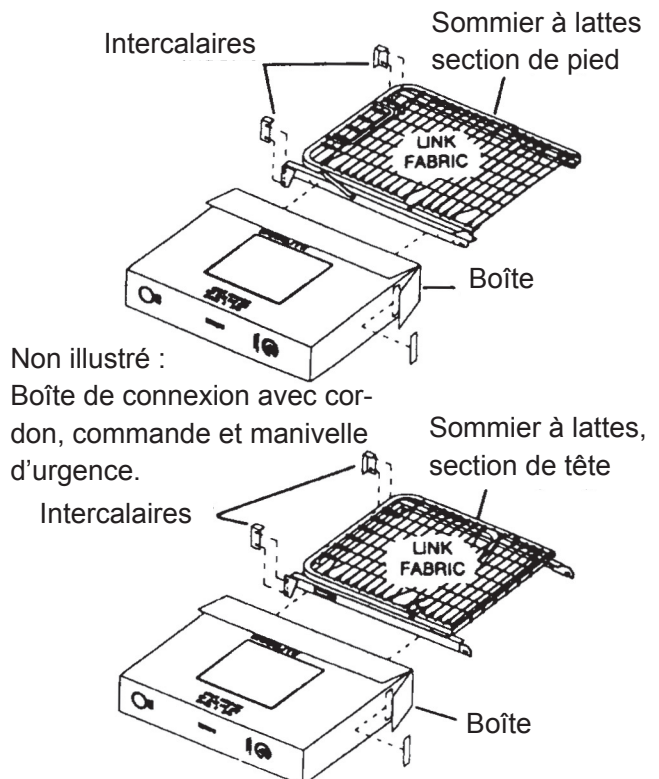
Un (1) sommier à lattes, section de tête.

INSPECTION

1. Examinez chaque composant avec soin. Notez la présence d'égratignures, d'entailles, de creux ou d'autres dommages apparents.
- NOTA : Pour les lits semi-électriques et électriques :
2. Notez la présence de dommages sur le cordon d'alimentation ou la prise de courant.
 3. Notez la présence de dommages au niveau de la boîte de connexion.
 4. Assurez-vous que les branchements des moteurs sont en bon état et qu'ils sont bien branchés dans la boîte de connexion.

ENTREPOSAGE

1. Si le lit n'est pas assemblé immédiatement, conservez les boîtes et le matériel d'emballage jusqu'au moment de l'assemblage.
2. Remballer et entreposer le lit Drive à usage domestique dans un endroit sec.
3. NE PLACEZ AUCUN objet sur les boîtes d'emballage.



ASSEMBLAGE

1. Retirez le sommier à lattes de tête (modèle 15008) du carton et posez-le sur le sol, sur le côté, à votre gauche, avec les encoches de montage centrales à droite.
 2. Retirez le sommier à lattes de pied du carton et posez-le sur le sol, sur le côté, à votre droite, avec le mécanisme de tête vers le haut et les encoches de montage centrales à gauche.
 3. Pour les sommiers semi-électriques (15012) et électriques (15013), les moteurs doivent se trouver à votre droite. Pour les pieds à commande manuelle (15009), la manivelle doit se trouver à votre droite.
 4. Les sommiers de tête et de pied doivent être sur leur côté, formant un angle d'environ 90 degrés.
 5. Insérez le tenon central du bas (sommier de pied) dans l'encoche centrale du bas (sommier de tête).
 6. Insérez le tenon central du haut (sommier de pied) dans l'encoche centrale du haut (sommier de tête).
- NOTA : Vous devrez peut-être soulever légèrement le sommier de tête ou de pied pour faire passer le tenon dans l'encoche.
7. Une fois que les sommiers de tête et de pied sont reliés, redressez (alignez) les deux sections tout en les laissant reposer sur le côté.

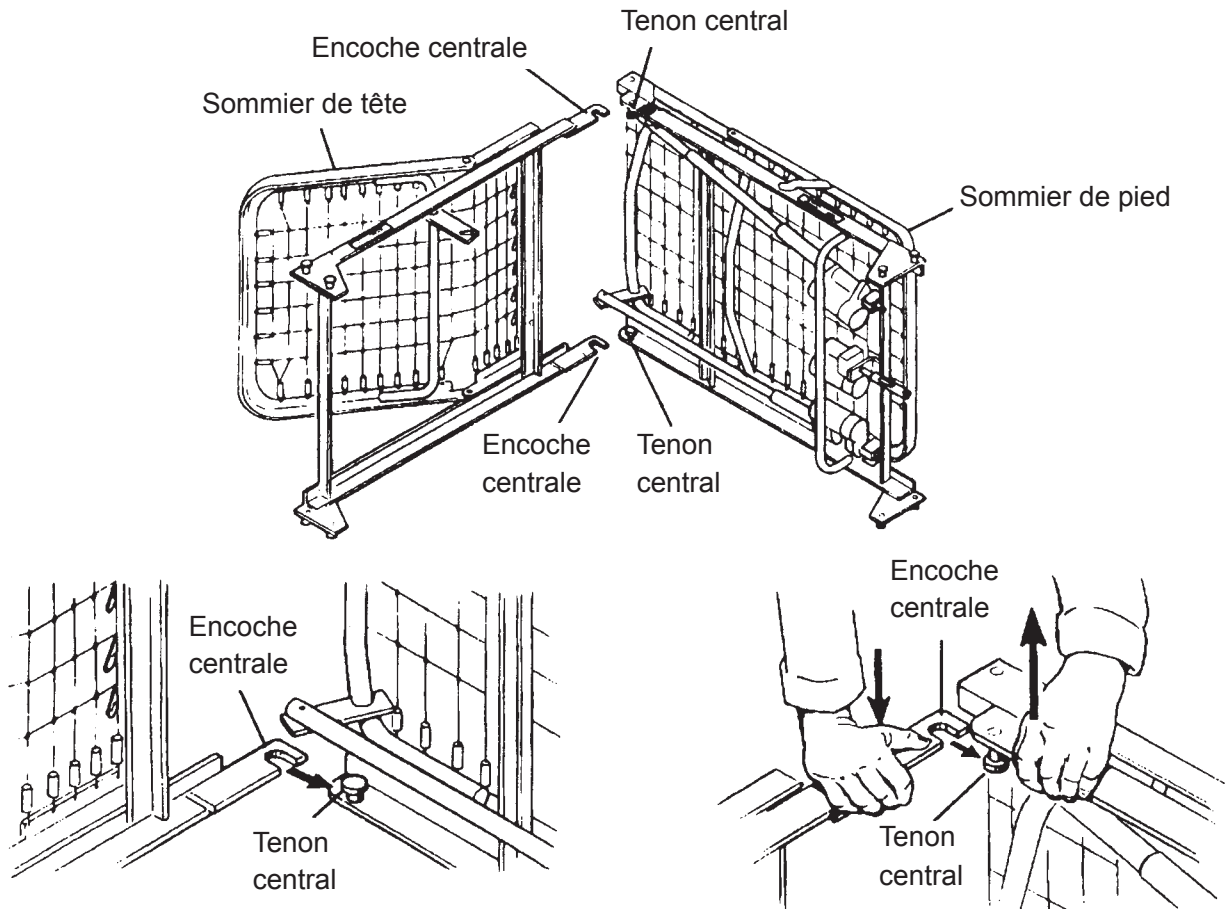


ILLUSTRATION 1 – RELIER LES SOMMIERS

ASSEMBLAGE

RELIER LE MAILLAGE DES SOMMIERS (ILLUSTRATION 2)

1. Relevez le sommier de tête pour donner du mou au maillage, et reliez les maillages à l'aide des maillons fournis.

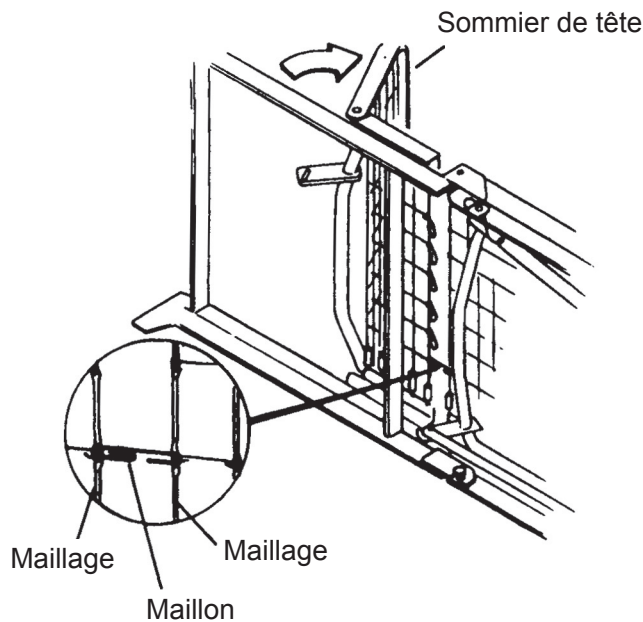


ILLUSTRATION 2 –
RELIER LE MAILLAGE DES SOMMIERS

AJUSTER ET REASSEMBLER LA BARRE DE TRACTION DU SOMMIER DE TÊTE (ILLUSTRATION 3)

1. Pour permettre le levage du sommier de tête, retirez la goupille d'attelage, la bague et la rondelle de l'axe de chape, et dégagez la barre de traction du cadre latéral du sommier de pied.
2. Tirez le tube intérieur à la main jusqu'à l'enclenchement du cran d'arrêt dans l'orifice de blocage du tube extérieur.
3. Le bouton à ressort doit ressortir par l'orifice de blocage et l'axe de chape du tube de traction devrait être aligné avec la fente du levier.
4. Reliez la barre de traction au levier du sommier de tête en insérant l'axe de chape dans la fente du levier.

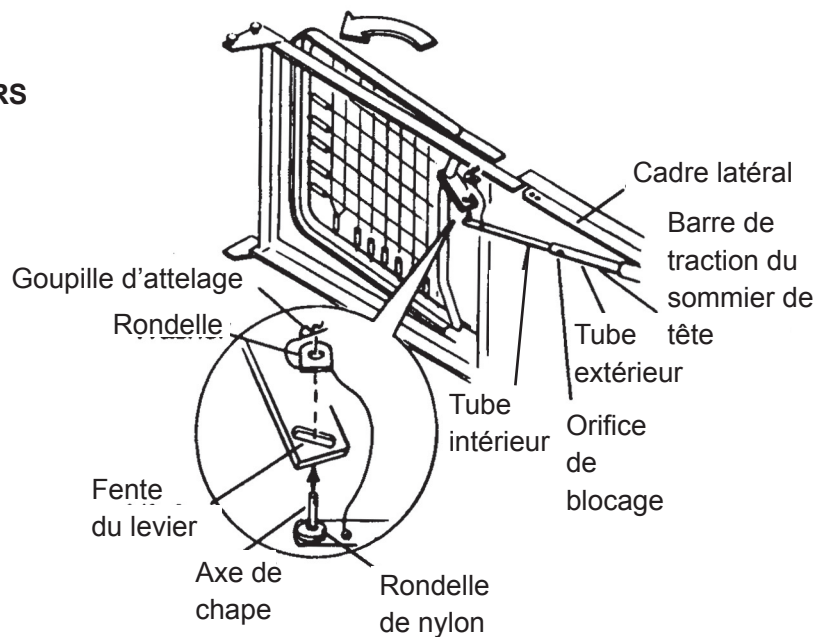


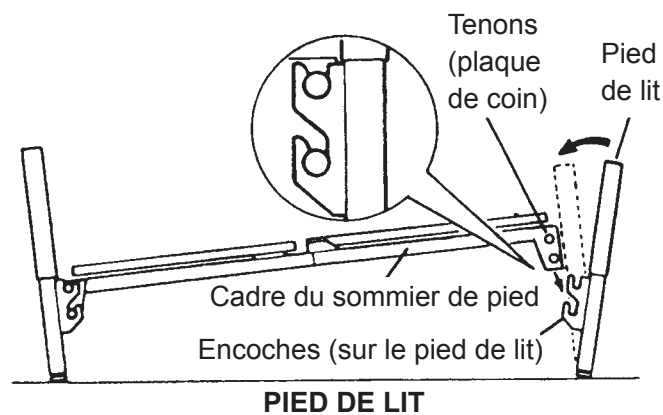
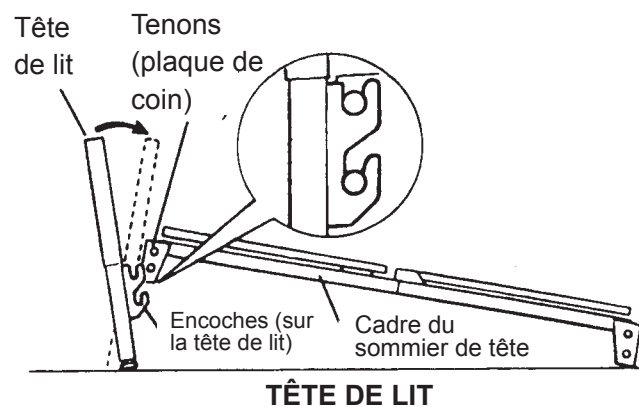
ILLUSTRATION 3 – AJUSTER ET RÉASSEMBLER LA
BARRE DE TRACTION DU SOMMIER DE TÊTE

ASSEMBLAGE

ASSEMBLAGE DE LE TÊTE ET DU PIED DE LIT (ILLUSTRATION 4)

NOTA : Pour les différencier, rappelez-vous que la tête de lit est plus haute que le pied de lit.

1. Placez la tête de lit le plus près possible du sommier de tête.
2. D'une main, saisissez le cadre du sommier de tête et soulevez-le jusqu'à ce que les tenons du sommier soient alignés avec les encoches de la tête de lit.
3. Penchez la tête de lit légèrement vers l'arrière et faites glisser les tenons dans les encoches.
4. Lorsque la tête de lit est revenue en position verticale, elle devrait être verrouillée au sommier de tête.
5. Répétez cette procédure avec le pied de lit.

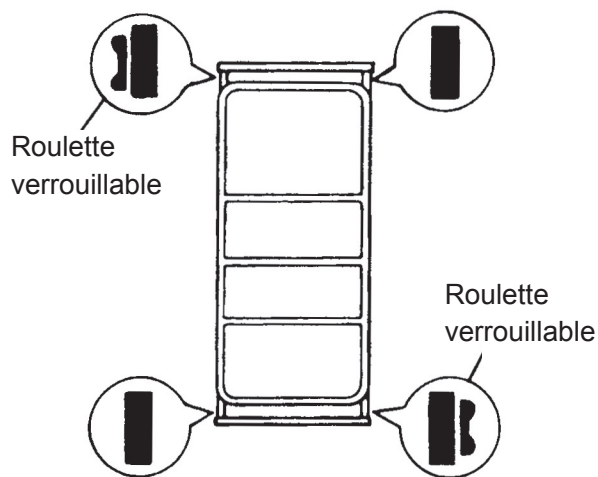
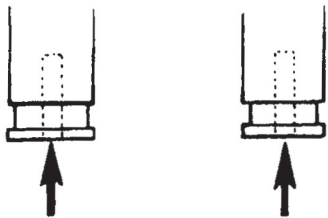


ASSEMBLAGE

INSTALLATION DES ROULETTES (ILLUSTRATION 5)

1. Installez les roulettes en soulevant avec précautions les extrémités du lit, environ 13 cm (5 pouces) au-dessus du sol. Insérez les axes des roulettes dans les orifices prévus.

NOTA : Placez les roulettes verrouillables dans deux coins diamétralement opposés.



**ILLUSTRATION 5 –
INSTALLATION DES ROULETTES**

MONTAGE ET INSTALLATION DE L'ARBRE D'ENTRAÎNEMENT (ILLUSTRATION 6)

L'arbre d'entraînement est composé de deux (2) sections. L'arbre intérieur possède un bouton à ressort et l'arbre extérieur possède deux (2) orifices de positionnement et un (1) orifice d'entreposage. Ces deux pièces composent l'arbre d'entraînement télescopique utilisé avec les modèles de lits manuels et électriques Hi/Lo.

1. Retirez les capuchons de plastique des deux extrémités des arbres.
2. Enfoncez le bouton à ressort de l'arbre intérieur et insérez-le dans l'arbre extérieur.
3. Faites glisser l'arbre intérieur à l'intérieur de l'arbre extérieur jusqu'au niveau qui convient selon le modèle de lit et faites passer le bouton à ressort dans l'orifice correspondant.
4. Pour les modèles semi-électrique et manuel, utilisez l'orifice le plus profond de l'arbre extérieur.
5. Pour le modèle tout électrique, utilisez l'orifice de l'arbre extérieur qui est à côté de l'orifice utilisé pour les modèles manuel et semi-électrique.
6. Fixez l'arbre d'entraînement au lit en insérant une des deux extrémités dans la boîte d'engrenages de la tête de lit.
7. Branchez l'autre extrémité à l'arbre du moteur Hi/Lo puis reliez l'arbre de la boîte d'engrenages du pied de lit au manchon à ressort de l'arbre du moteur Hi/Lo.
8. Libérez le manchon à ressort de l'arbre d'entraînement en le poussant contre le manchon et en tournant dans le sens horaire.
9. Le manchon à ressort de l'arbre du moteur Hi/Lo doit maintenant être libéré afin de se brancher adéquatement à l'arbre de la boîte d'engrenages du pied de lit.
10. Poussez le manchon à ressort contre l'arbre du moteur Hi/Lo et tournez dans le sens horaire.
11. Le manchon s'enclenche et reliera l'arbre d'entraînement du pied de lit.
12. Assurez-vous que tous les composants sont dûment installés.

ASSEMBLAGE

NOTA : Comme il n'y a pas de moteur Hi/Lo pour les modèles semi-électrique à une ou deux manivelles, et le modèle manuel avec fonctions Hi/Lo, l'arbre d'entraînement sera relié directement à l'arbre de la boîte d'engrenages du pied de lit.

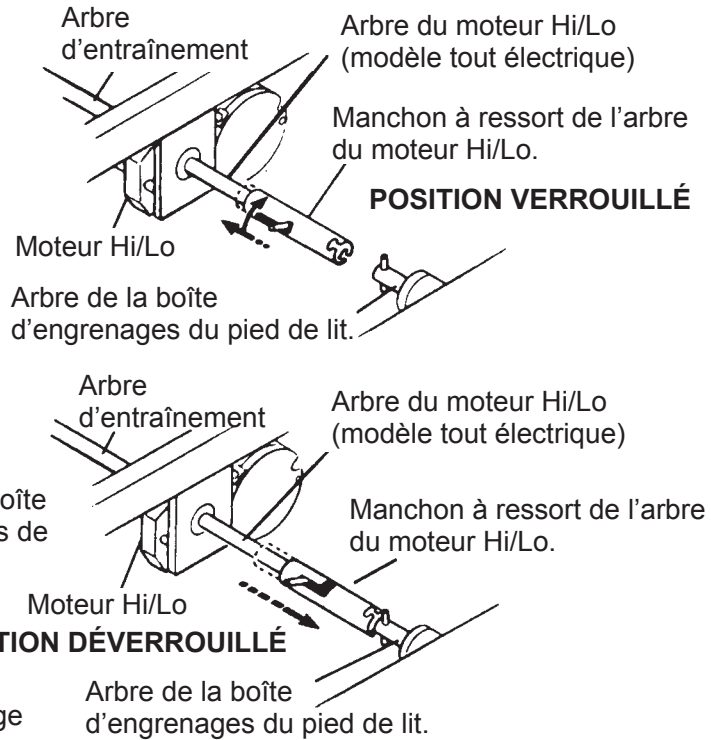
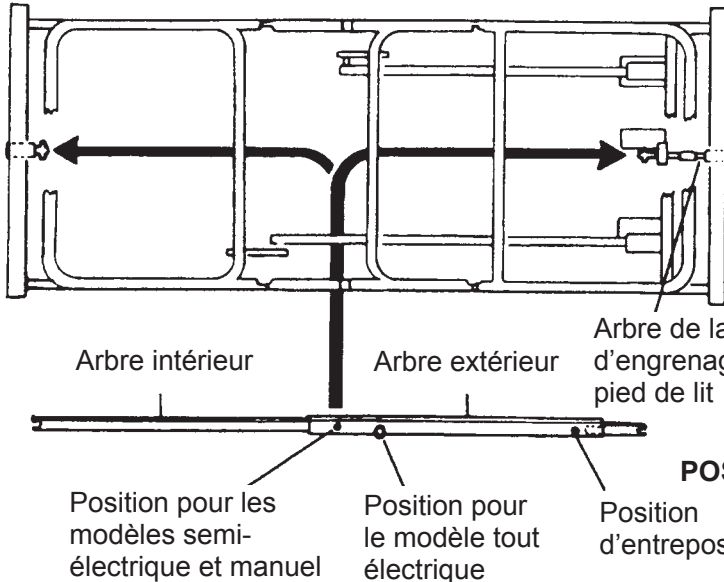


ILLUSTRATION 6 – MONTAGE ET INSTALLATION DE L'ARBRE D'ENTRAÎNEMENT

MISE EN ROUTE DES FONCTIONS (LITS TOUT ÉLECTRIQUE ET SEMI-ÉLECTRIQUE SEULEMENT) (ILLUSTRATION 7)

1. Revérifiez tous les branchements électriques au niveau de la boîte de connexion au pied du lit, assurez-vous que tous les moteurs sont branchés à la bonne prise.
2. Branchez le cordon d'alimentation à une prise de 110 V, 60 Hz, protégée par une mise au neutre fonctionnelle.
3. Placez le support de la commande à un endroit convenable pour l'utilisateur.

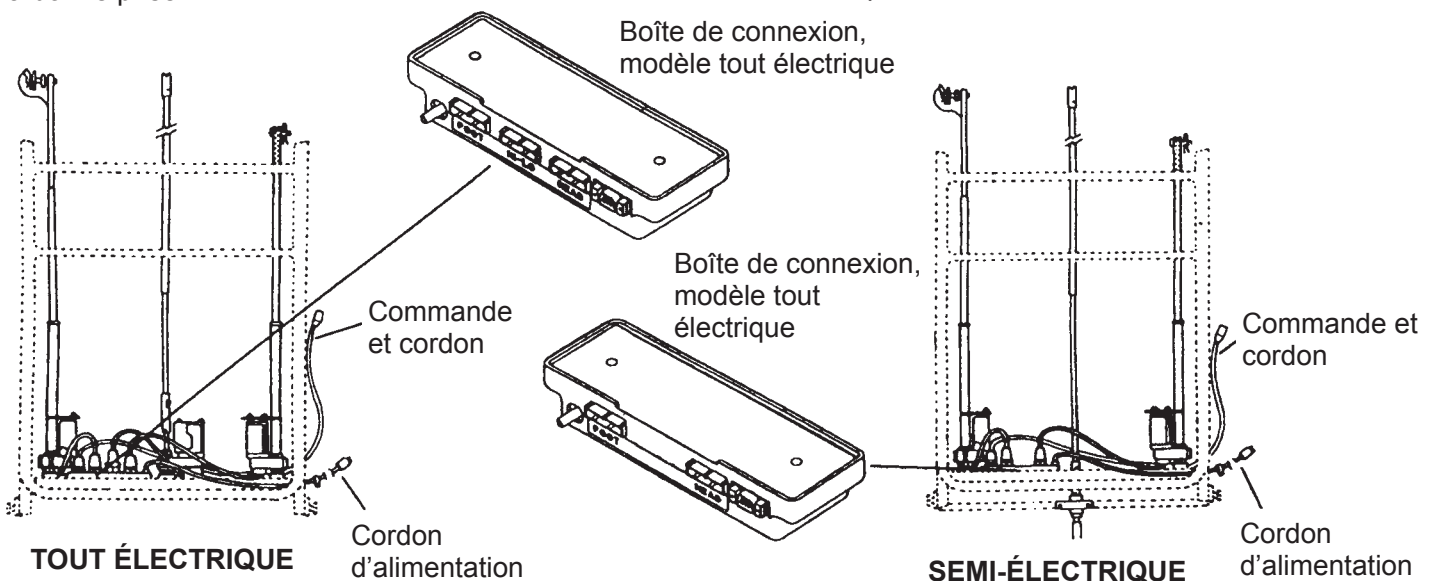


ILLUSTRATION 7 – MISE EN ROUTE DES FONCTIONS (LITS TOUT ÉLECTRIQUE ET SEMI-ÉLECTRIQUE SEULEMENT)

UTILISATION ET AJUSTEMENTS

Ces instructions concernent les modèles suivants :

Tout électrique

Semi-électrique

Manuel

UTILISATION – TOUT ÉLECTRIQUE

1. Les illustrations représentent le modèle tout électrique et permettront à l'utilisateur de se familiariser avec les fonctions et commandes.
2. Essayez toutes les fonctions du lit.
3. Si un problème survient pendant les tests, vérifiez tous les branchements électriques et mécaniques.
4. Le modèle tout électrique possède une commande à six (6) fonctions.
5. Le modèle tout électrique possède une manivelle d'urgence qui permet une utilisation des fonctions même en cas de panne de courant.

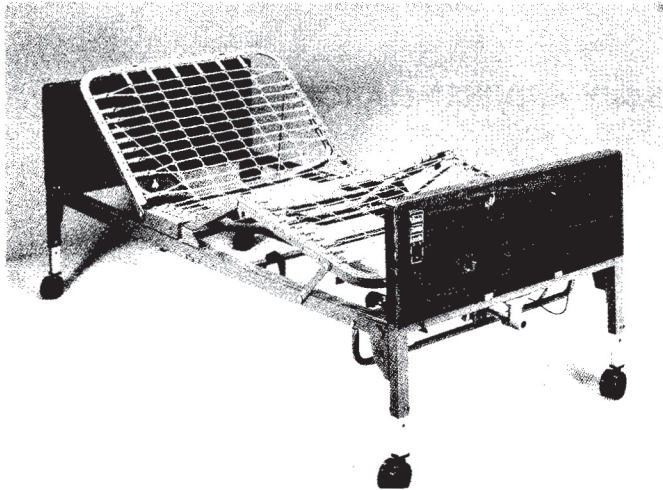
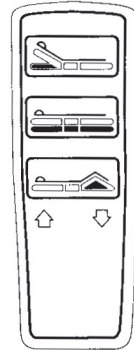


ILLUSTRATION 1 – LIT TOUT ÉLECTRIQUE

Faire monter et descendre le lit entier (lit tout électrique – ILLUSTRATION 2)

FAIRE MONTER LE LIT ENTIER –
LIT TOUT ÉLECTRIQUE

Appuyez sur le bouton
BED UP (lit haut)
tel qu'indiqué sur la
commande pour faire
monter le lit en entier.



FAIRE DESCENDRE LE LIT ENTIER –
LIT TOUT ÉLECTRIQUE

Appuyez sur le bouton
BED DOWN (lit bas)
tel qu'indiqué sur la
commande pour faire
descendre le lit en entier.

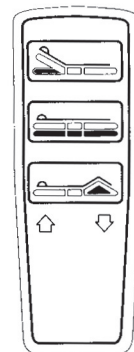


ILLUSTRATION 2 – FAIRE MONTER ET
DESCENDRE LE LIT ENTIER
(LIT TOUT ÉLECTRIQUE)

UTILISATION ET AJUSTEMENTS

Faire monter et descendre la section de tête ou de pied (modèle tout électrique – ILLUSTRATION 3)

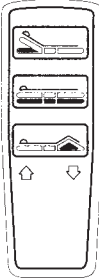
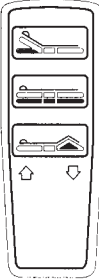
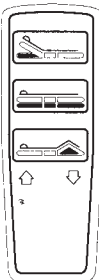
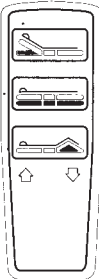
<p>FAIRE MONTER LA SECTION DE TÊTE D'UN LIT TOUT ÉLECTRIQUE</p>	
<p>Appuyez sur le bouton HEAD UP (tête haut) tel qu'indiqué sur la commande. Ceci fera monter la section de tête du sommier.</p>	
<p>FAIRE DESCENDRE LA SECTION DE TÊTE D'UN LIT TOUT ÉLECTRIQUE</p>	
<p>Appuyez sur le bouton HEAD DOWN (tête bas) tel qu'indiqué sur la commande. Ceci fera descendre la section de tête du sommier.</p>	
<p>FAIRE MONTER LA SECTION DE PIED D'UN LIT TOUT ÉLECTRIQUE</p>	
<p>Appuyez sur le bouton FOOT UP (pied haut) tel qu'indiqué sur la commande. Ceci fera monter la section de pied du sommier.</p>	
<p>FAIRE DESCENDRE LA SECTION DE PIED D'UN LIT TOUT ÉLECTRIQUE</p>	
<p>Appuyez sur le bouton FOOT DOWN (pied bas) tel qu'indiqué sur la commande. Ceci fera descendre la section de pied du sommier.</p>	

ILLUSTRATION 3 - FAIRE MONTER ET DESCENDRE LA SECTION DE TÊTE OU DE PIED (MODELE TOUT ELECTRIQUE)

MODÈLE SEMI-ÉLECTRIQUE

1. Les illustrations représentent le modèle semi-électrique avec les points de branchement de manivelle pour le Hi/Lo et le pied, selon le cas.
2. Les modèles semi-électriques à une ou deux manivelles avec la fonction Hi/Lo possèdent une commande à quatre (4) fonctions pour les mouvements de tête et de pied, et une manivelle pour régler la hauteur du lit.
3. Les lits semi-électriques à hauteur fixe possèdent les fonctions d'ajustement de la tête et du pied mais la hauteur globale du lit ne peut être ajustée.
4. Considérez les instructions qui s'appliquent à votre modèle de lit particulier.
5. Essayez toutes les fonctions du lit.
6. Si un problème survient pendant les tests, vérifiez tous les branchements électriques et mécaniques.
7. Les modèles semi-électriques possèdent une manivelle d'urgence qui permet une utilisation des fonctions même en cas de panne de courant.

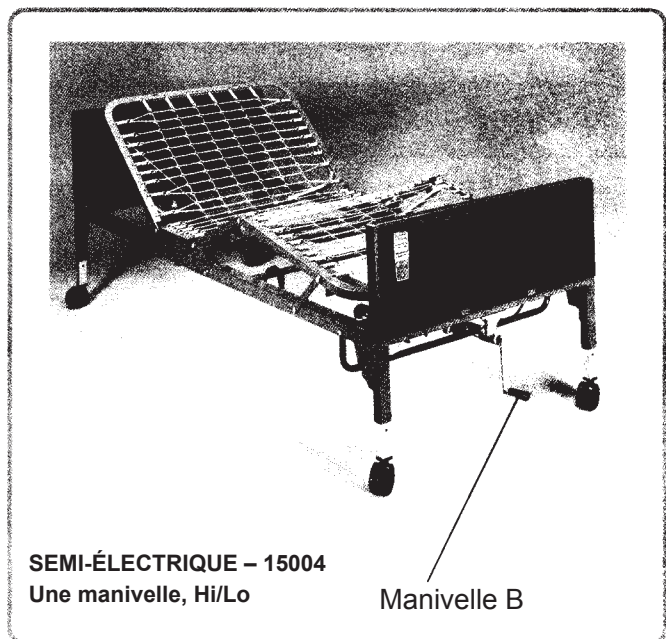


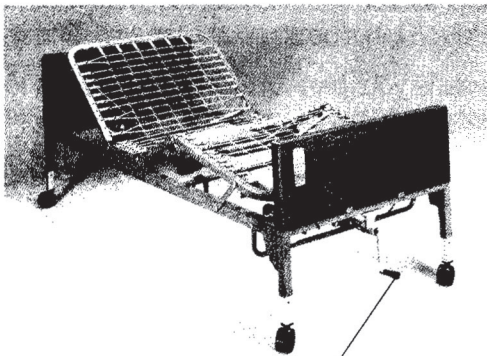
ILLUSTRATION 4 – UTILISATION DES MODÈLES SEMI-ÉLECTRIQUES

UTILISATION ET AJUSTEMENTS

FAIRE MONTER ET DESCENDRE LE LITENTIER (MODÈLES SEMI-ÉLECTRIQUES – ILLUSTRATION 5)

POUR FAIRE MONTER LE LIT SEMI-ÉLECTRIQUE ENTIER

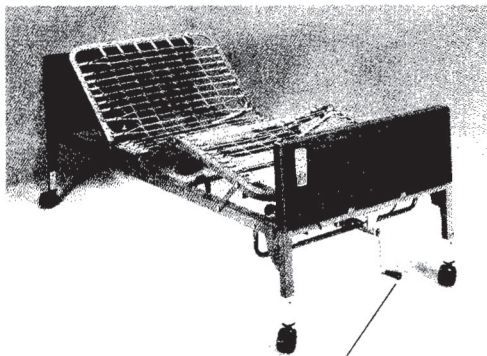
SEMI-ÉLECTRIQUE, UNE MANIVELLE, HI/LO :
Tournez la manivelle B dans le sens horaire pour faire monter le lit en entier.



Manivelle B

POUR FAIRE DESCENDRE LE LIT SEMI-ÉLECTRIQUE ENTIER.

SEMI-ÉLECTRIQUE, UNE MANIVELLE, HI/LO :
Tournez la manivelle « B » dans le sens antihoraire pour faire descendre le lit en entier.



Manivelle B

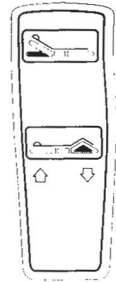
ILLUSTRATION 5 - FAIRE MONTER ET DESCENDRE LE LIT ENTIER (MODELES SEMI-ELECTRIQUES)

FAIRE MONTER ET DESCENDRE LA SECTION DE TÊTE OU DE PIED (MODÈLE SEMI-ÉLECTRIQUE – ILLUSTRATION 6)

POUR FAIRE MONTER LA SECTION DE TÊTE D'UN LIT SEMI-ÉLECTRIQUE

SEMI-ÉLECTRIQUE, UNE MANIVELLE, HI/LO :

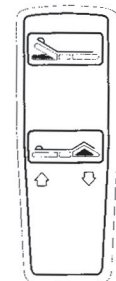
Appuyez sur le bouton HEAD UP (tête haut) tel qu'indiqué sur la commande. Ceci fera monter la section de tête du sommier.



FAIRE DESCENDRE LA SECTION DE TÊTE D'UN LIT SEMI-ÉLECTRIQUE

SEMI-ÉLECTRIQUE, UNE MANIVELLE, HI/LO :

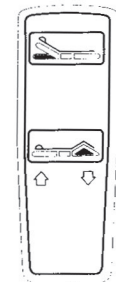
Appuyez sur le bouton HEAD DOWN (tête bas) tel qu'indiqué sur la commande. Ceci fera descendre la section de tête du sommier.



FAIRE MONTER LA SECTION DE PIED D'UN LIT SEMI-ÉLECTRIQUE

SEMI-ÉLECTRIQUE, UNE MANIVELLE, HI/LO :

Appuyez sur le bouton FOOT UP (ped haut) tel qu'indiqué sur la commande. Ceci fera monter la section de pied du sommier.



FAIRE DESCENDRE LA SECTION DE PIED D'UN LIT SEMI-ÉLECTRIQUE

SEMI-ÉLECTRIQUE, UNE MANIVELLE, HI/LO :

Appuyez sur le bouton FOOT DOWN (ped bas) tel qu'indiqué sur la commande. Ceci fera descendre la section de pied du sommier.

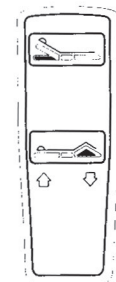


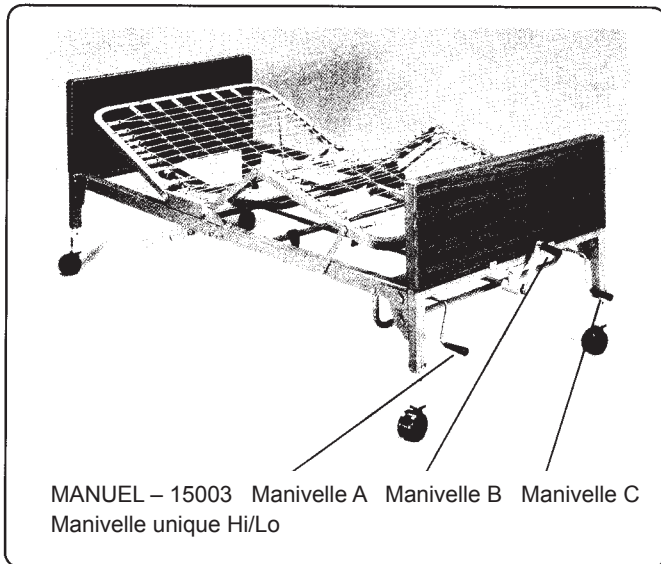
ILLUSTRATION 6 - FAIRE MONTER ET DESCENDRE LA SECTION DE TETE OU DE PIED (MODELE SEMI-ELECTRIQUE, UNE OU DEUX MANIVELLES, HI/LO)

NOTA : Rappelez-vous que lorsqu'un lit électrique ou semi-électrique ne fonctionne pas normalement, vous pouvez utiliser la manivelle d'urgence fournie pour effectuer les ajustements désirés.

UTILISATION ET AJUSTEMENTS

UTILISATION DU LIT MANUEL (ILLUSTRATION 7)

1. Les illustrations représentent les modèles manuels avec les points de branchement de manivelles pour le Hi/Lo, selon le cas.
2. Identifiez votre modèle particulier et apprenez à utiliser ses caractéristiques propres.
3. Essayez toutes les fonctions du lit.
4. Si un problème survient pendant les tests, vérifiez tous les branchements mécaniques.



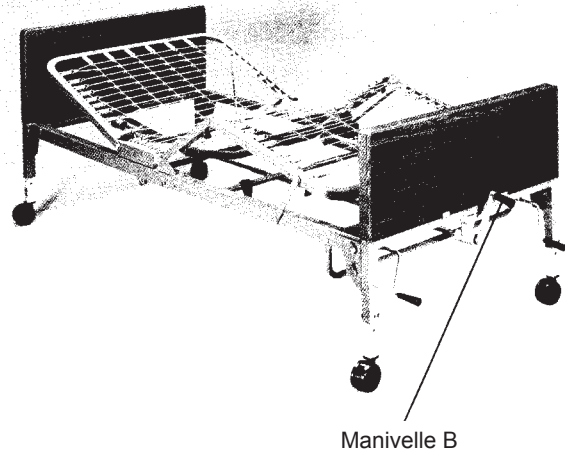
**ILLUSTRATION 7 –
UTILISATION DU LIT MANUEL**

Faire monter et descendre le lit entier (modèle manuel – illustration 8)

POUR FAIRE MONTER LE LIT ENTIER – LITS MANUELS

MANUEL, MANIVELLE UNIQUE, HI/LO

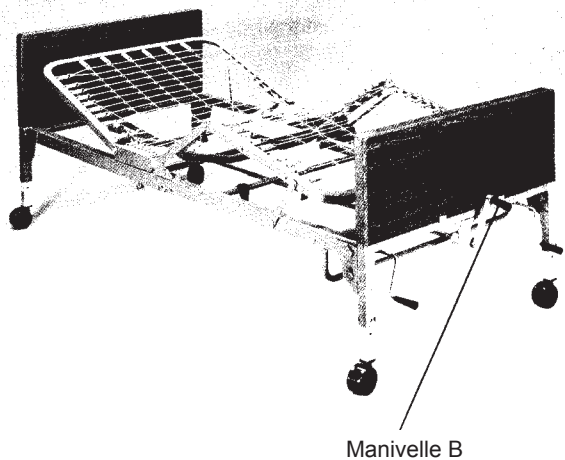
Tournez la manivelle B dans le sens horaire pour faire monter le lit en entier.



POUR FAIRE DESCENDRE LE LIT ENTIER – LITS MANUELS

MANUEL, MANIVELLE UNIQUE, HI/LO

Tournez la manivelle B dans le sens antihoraire pour faire descendre le lit en entier.



**ILLUSTRATION 8 - FAIRE MONTER ET
DESCENDRE LE LIT ENTIER (LITS MANUELS)**

UTILISATION ET AJUSTEMENTS

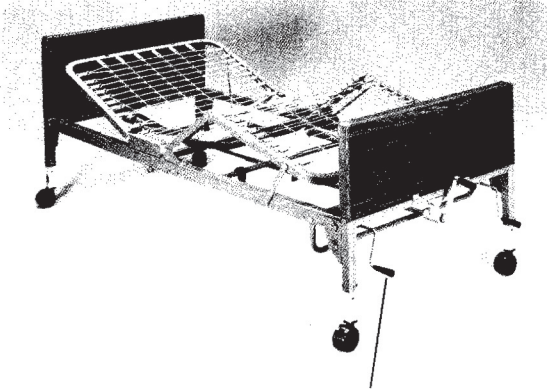
Faire monter et descendre la section de tête
(ILLUSTRATION 9A)

Faire monter et descendre la section de pied
(ILLUSTRATION 9A)

FAIRE MONTER LA SECTION DE TÊTE – LITS MANUELS

MANUEL, MANIVELLE UNIQUE, HI/LO

Tournez la manivelle A dans le sens horaire pour faire monter la portion de tête du lit.

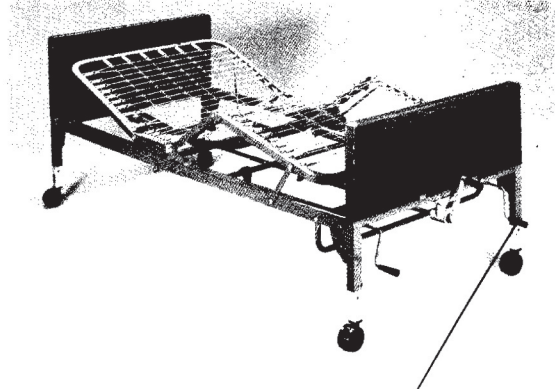


Manivelle A

FAIRE MONTER LA SECTION DE PIED – LITS MANUELS

MANUEL, MANIVELLE UNIQUE, HI/LO

Tournez la manivelle A dans le sens horaire pour faire monter la portion de pied du lit.

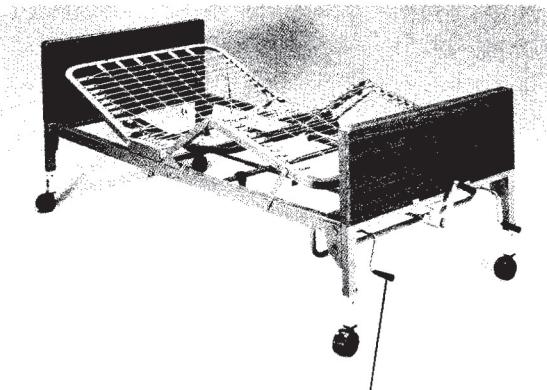


Manivelle C

FAIRE DESCENDRE LA SECTION DE TÊTE – LITS MANUELS

MANUEL, MANIVELLE UNIQUE, HI/LO

Tournez la manivelle A dans le sens antihoraire pour faire descendre la portion de tête du lit.

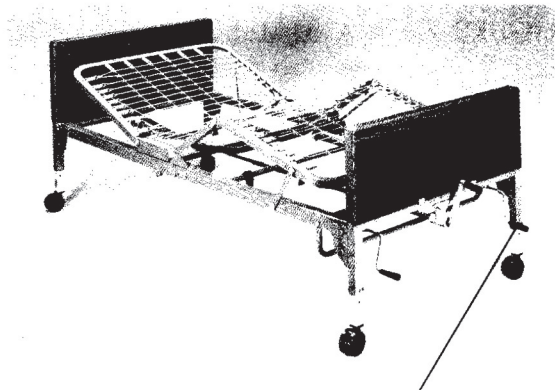


Manivelle A

FAIRE DESCENDRE LA SECTION DE PIED – LITS MANUELS

MANUEL, MANIVELLE UNIQUE, HI/LO

Tournez la manivelle A dans le sens antihoraire pour faire descendre la portion de pied du lit.



Manivelle C

ILLUSTRATION 9A – FAIRE MONTER ET
DESCENDRE LA PORTION DE TÊTE DU LIT

ILLUSTRATION 9A – FAIRE MONTER ET
DESCENDRE LA PORTION DE PIED DU LIT

ENTRETIEN ET VÉRIFICATIONS

Drive recommande aux utilisateurs de procéder à un entretien et un nettoyage périodiques.

ÉLECTRONIQUE

- Vérifiez toutes les commandes pour vous assurer qu'elles fonctionnent normalement.
 - Commande de pied
 - Commande de tête
 - Hi/Lo
- Vérifiez tous les câbles pour vous assurer qu'ils ne sont pas endommagés.
 - Cordon d'alimentation
 - Cordon de la commande manuelle
- Vérifiez que tous les connecteurs sont bien branchés.

Cadre du lit et sommier

- Faites un examen visuel de tous les points de soudure
 - Section de tête
 - Section de pied
 - Cadre principal
- Vérifiez les joints entre les deux sections, notez la présence de joints lâches.

Nettoyage

- Les parties métalliques du lit sont recouvertes d'un revêtement en poudre. Nettoyez toutes les parties traitées à l'aide d'un détergent doux dilué dans de l'eau tiède. Soulevez occasionnellement les sections de tête et de pied et nettoyez la poussière qui peut s'accumuler sur le cadre. Retirez aussi le matelas et nettoyez le sommier.

Lubrification et Mécanique

- Lubrifiez occasionnellement le fil des vis de réglage à l'aide d'une graisse blanche au lithium.
- Lubrifiez toutes les roulettes et les coussinets du mécanisme pivotant à l'aide d'une huile légère pour machine.
- Vérifiez le serrage des boulons et des écrous.

GARANTIE

Garantie à vie sur toutes les soudures.

Garantie de cinq ans sur le cadre.

Garantie d'un an sur toutes les autres pièces et composants.

Pendant la période de couverture de la garantie, les éléments défectueux seront remplacés ou réparés, à sa convenance et sans frais, par Drive.

MISES EN GARDE GÉNÉRALES

N'UTILISEZ PAS ce produit, ni aucun équipement offert en option sans avoir lu et compris toutes ces instructions ainsi que les instructions supplémentaires comme le Manuel du propriétaire, le Manuel d'entretien et les feuillets d'instructions fournis avec ce produit ou avec les équipements offerts en option. Si vous ne parvenez pas à comprendre les mises en garde, les précautions ou les instructions, communiquez avec un professionnel de la santé, votre revendeur ou du personnel technique sans quoi vous pourriez vous blesser ou causer des dommages.

Lisez toutes les instructions avant d'utiliser le lit.

Consultez le Manuel du propriétaire du lit et des côtés de lit pour de plus amples renseignements sur le produit et les aspects sécuritaires.

Après tout ajustement, réparation ou entretien, et avant l'utilisation, assurez-vous que tout le matériel de fixation est serré de manière sécuritaire.

Après avoir assemblé le lit, testez toutes les sections du lit pour vous assurer qu'elles sont installées adéquatement et fixées de manière sécuritaire.

Verrouillez TOUJOURS les roues sauf lorsque vous déplacez le lit.

Le poids du corps doit être réparti uniformément sur le lit. Ne JAMAIS vous placer ou vous asseoir sur le lit de manière à ce que la totalité de votre poids repose sur la section de tête ou la section de pied relevée. Cet avertissement vaut aussi pour la personne qui aide l'utilisateur à se repositionner sur le lit, ou lors de son transfert vers ou hors du lit.

Vérifiez qu'aucune pièce n'a été endommagée pendant le transport et testez chaque pièce. N'utilisez PAS une pièce endommagée. Communiquez avec un technicien qualifié pour connaître la marche à suivre dans un tel cas.

Ce lit doit faire l'objet d'une surveillance accrue lorsqu'il est utilisé par ou près d'enfants ou de personnes handicapées.

Ne laissez JAMAIS une personne accéder à l'espace sous le lit ou sous les parties relevées du lit.

Ne permettez JAMAIS à plus d'une personne de prendre place sur ou dans le lit.

N'utilisez PAS ce produit à l'extérieur.

N'utilisez PAS ce produit, ni aucun équipement offert en option sans avoir lu et compris toutes ces instructions ainsi que les instructions supplémentaires comme le Manuel du propriétaire, le Manuel d'entretien et les feuillets d'instructions fournis avec ce produit ou avec les équipements offerts en option. Si vous ne parvenez pas à comprendre les avertissements, les précautions ou les instructions, communiquez avec un professionnel de la santé, votre revendeur ou du personnel technique sans quoi vous pourriez vous blesser ou causer des dommages.

Pour revendeurs seulement – Vous trouverez les instructions pour la préparation et l'assemblage à la fin de ce manuel. Ces instructions doivent être exécutées par un technicien qualifié.

Le Hospital Bed Safety Workgroup a publié, en mars 2006, une mise à jour du document Bed Safety Guidelines de la FDA. Une version à jour de ce document est disponible à l'adresse <http://www.fda.gov>.

Si l'équipement ne fonctionne pas correctement, communiquez avec un technicien qualifié qui examinera et réparera l'équipement.

Les produits médicaux Drive sont spécifiquement conçus et fabriqués pour être utilisés avec les accessoires médicaux Drive. Les accessoires conçus par d'autres manufacturiers n'ont pas été testés par Drive Medical et leur utilisation avec les produits Drive Medical n'est pas recommandée.

Assurez-vous que toutes les parties mobiles puissent fonctionner sans obstruction, incluant le cadre principal, la plateforme du matelas (sections de tête et de pied) et tous les arbres de transmission. Surveillez particulièrement les draps, couvertures, coussins et couvertures chauffants, tubulures, câblage et autres produits comportant un cordon d'alimentation qui pourraient s'enrouler autour du lit, des côtés ou des pieds du lit au cours de l'utilisation.

Maintenez le lit à une distance minimale de 30,5 cm (12 po) de toute source de chaleur.

Assurez-vous que les sections de tête et de pied de la plateforme sont bien assujetties à la tête et au pied de lit universels avant d'utiliser le lit.

Les personnes aux prises avec des difficultés physiques qui ne peuvent s'empêcher de rouler hors du lit peuvent nécessiter l'utilisation de dispositifs de retenue pour assurer leur sécurité.

Les procédures autres que celles décrites dans ce manuel doivent être exécutées par un technicien qualifié.

Risque de blessures – Ne placez JAMAIS d'équipement vidéo, comme un téléviseur ou un moniteur d'ordinateur, sur le lit.

Ne laissez JAMAIS un patient utiliser un trapèze (perroquet) ou un système de traction pour supporter la totalité de son poids.

Un trapèze (perroquet) ne doit être utilisé que pour aider un patient à se repositionner sur le lit, ou pour effectuer un transfert vers ou hors du lit.

Un trapèze (perroquet) doit être installé sur la tête ou le pied de lit universel, le plus près possible de son centre.

Le lit n'est pas conçu pour le transport d'un patient. Lorsque vous devez transporter le patient, utilisez un équipement prévu à cet effet. Le non-respect de cette consigne peut causer des blessures ou des dommages.

Le lit peut être équipé de roues verrouillables. Verrouillez toujours la ou les roues verrouillables lorsque vous transférez un patient vers ou hors du lit. Vérifiez le bon fonctionnement des freins avant d'utiliser le lit. Même avec des roues verrouillées correctement, le lit peut bouger sur certaines surfaces comme les carreaux ou le bois. L'utilisation du lit sur de telles surfaces doit être évaluée par les personnes responsables des soins.

La préparation initiale de ce lit doit être effectuée par un technicien qualifié.

La charge maximale, pour le lit Drive Medical de 91,4 cm (36 po) de large, incluant les accessoires, le matelas, l'occupant et tout autre objet ou personne prenant place sur le lit, est de 204 kg (400 lb), dont 158 kg

(350 lb) pour le poids du patient.

N'utilisez ce lit qu'aux fins prévues et comme décrit dans les présentes instructions. N'utilisez PAS d'équipement additionnel non recommandé par le fabricant.

Après avoir rehaussé / abaissé la section de tête ou de pied du lit, vérifiez la distance entre le côté de lit et le matelas. Si l'ouverture entre le bas du côté de lit et le matelas est trop grande, au point où le patient pourrait s'y coincer, ajustez la hauteur du côté de lit (si cela est possible) ou prévoyez une autre façon de protéger le patient.

Lorsque l'évaluation d'un patient détermine qu'il est susceptible de se coincer, le lit DOIT être utilisé à plat lorsque le patient est laissé sans surveillance.

Une évaluation et une surveillance adéquate du patient, ainsi qu'un entretien adéquat de l'équipement sont nécessaires pour réduire le risque de coincement. La taille des côtés de lit, l'épaisseur, la taille et la densité des matelas sont autant de facteurs qui influencent les risques de coincement. Visitez le site web de la FDA à l'adresse <http://www.fda.gov> pour de plus amples renseignements.

Les matelas ou les côtés de lits de remplacement dont la taille diffère des équipements originaux ou des spécifications du fabricant ne sont pas interchangeables. Des côtés de lits différents ou des matelas dont l'épaisseur ou la fermeté sont différents peuvent causer ou contribuer au risque de coincement. N'utilisez que des pièces de remplacement et des accessoires autorisés par Drive Medical sans quoi les dispositions de la garantie seront annulées. Drive Medical ne sera pas responsable des dommages ou des blessures encourus.

Pour réduire les risques de coincement, assurez-vous que les entretoises des côtés de lits ne dépassent PAS la largeur du matelas. Le matelas DOIT avoir la bonne taille et être ajusté selon la taille de la plateforme et des côtés de lit afin de réduire les risques de coincement.

Lorsque vous manipulez ce lit, assurez-vous TOUJOURS que l'utilisateur est positionné adéquatement sur le lit. Ne laissez JAMAIS les membres ou extrémités dépasser sur les côtés ou entre les côtés de lit pendant les manipulations.

Drive Medical recommande de centrer le matelas sur la plateforme du lit, sans quoi l'utilisateur peut se coincer entre le côté de lit et le cadre du lit.

La taille du matelas DOIT lui permettre de s'ajuster adéquatement sur la plateforme et entre les rails de lit afin de réduire les risques de coincement.

CONSERVEZ CES INSTRUCTIONS

NOTE : Une version à jour de ce manuel est disponible en ligne à l'adresse www.DriveMedical.com.

AVERTISSEMENTS CONCERNANT LES CÔTÉS DE LIT

Des côtés de lit dont les dimensions diffèrent de l'équipement original ou des spécifications du fabricant ne sont pas interchangeables et peuvent causer un coincement ou d'autres blessures.

Bien que les côtés de lit ne comportent pas de spécification quant à la limite de poids, ils peuvent se déformer ou se briser s'ils sont soumis à une force excessive. Un côté de lit ne constitue pas un dispositif d'aide pour le transfert vers ou hors du lit. N'utilisez PAS les côtés de lit comme poignées pour déplacer le lit.

Assurez-vous toujours que les côtés de lit sont installés et fixés adéquatement avant d'utiliser le lit.

N'installez PAS de côtés de lit en option sans d'abord avoir lu et compris toutes les instructions contenues dans le feuillet d'instructions fourni avec l'ensemble de côtés de lit.

N'utilisez PAS les côtés de lit comme poignées pour déplacer le lit.

Ces côtés de lit sont conçus pour empêcher une personne de tomber du lit par inadvertance. Ne les utilisez PAS comme dispositif de retenue.

Lorsqu'ils sont utilisés sur un lit manuel ou électrique, les côtés de lit n'ont PAS les mêmes limitations de poids que le lit. Les côtés de lit peuvent être déformés ou se briser sous l'effet d'une force excessive. Ces côtés de lit sont conçus pour empêcher une personne de tomber du lit par inadvertance. Ils ne sont PAS

prévus et ne doivent PAS être utilisés comme dispositif de retenue. Si l'utilisateur est capable de se blesser, consultez un médecin ou un professionnel de la santé pour déterminer quel protocole de retenue doit être mis en place.

AVERTISSEMENTS CONCERNANT L'ÉLECTRICITÉ

Ce produit comporte un mécanisme de protection contre la surchauffe causée par une utilisation excessive ou soutenue. Des ajustements plus ou moins longs, répétés ou multiples, ou l'utilisation de plusieurs fonctions simultanément peut causer une surchauffe. Effectuez toujours une courte pause entre les ajustements multiples et évitez d'utiliser plus d'une fonction à la fois afin d'éviter une surchauffe. Les commandes du lit deviennent non fonctionnelles lorsque la protection thermique est déclenchée. Dans un tel cas, mettez fin à toute commande d'ajustement et laissez les mécanismes d'ajustement au repos pendant plusieurs minutes. Ceci permettra au mécanisme de protection de revenir à la normale et permettra reprise des opérations. Ceci peut prendre jusqu'à 30 minutes, selon la sévérité de la surchauffe initiale.

Faites une courte pause entre les ajustements et évitez d'utiliser plusieurs boutons simultanément. Si vous appuyez sur de boutons du boîtier de commande trop rapidement ou sur plusieurs boutons simultanément, il est possible que la commande ne fonctionne pas. Relâchez le bouton, attendez un court moment et exécutez la commande suivante.

Retirez TOUJOURS la ou les manivelles manuelles avant d'exécuter des commandes électriques, sans quoi la ou les manivelles se mettront à tourner sous l'effet de la motorisation, ce qui peut causer des blessures ou endommager le lit.

Débranchez toujours le lit de la source d'alimentation électrique avant de le nettoyer.

N'ouvrez PAS les pièces assemblées comme les moteurs, le boîtier de commande, les boîtes de raccordement ou engrenages. Ils ne contiennent aucune pièce pouvant être réparée par l'utilisateur. Seul un technicien qualifié peut réparer ces pièces. La réparation de ces pièces par une personne autre qu'un technicien

qualifié annule les dispositions de la garantie.

Ne placez PAS le boîtier de commande sous ou entre des objets. Ceci peut activer involontairement des commandes et causer des blessures ou des dommages.

Les équipements électroniques peuvent être perturbés par des fréquences radio (FR). Prenez des précautions lorsque vous utilisez des appareils de communication portables à proximité de tels équipements. Si les FR causent des comportements indésirables, débranchez IMMÉDIATEMENT le lit de sa source d'alimentation. Laissez-le débranché tant que durera la transmission.

Assurez-vous que les câbles et les cordons sont disposés de manière à ne pas se mêler ou être coincés. Le non-respect de cette consigne peut causer des dommages ou des blessures.

Si un bouton du boîtier de commande ne relâche pas ou demeure enfoncé, la plateforme du lit continuera de bouger.

S'il survient un déversement de liquide sur ou autour d'un lit à commande électrique, débranchez le lit avant de procéder au nettoyage. Nettoyez le dégât et laissez sécher complètement avant d'utiliser les commandes électriques de nouveau.

Inspectez la surface du panneau de commande du lit et celui du boîtier de commande du patient pour vous assurer qu'il n'est pas endommagé ni craquelé.

Maintenez tous les cordons électriques à distance des sources de chaleur ou des surfaces chaudes.

Maintenez le cordon à distance des surfaces chaudes.

N'utilisez JAMAIS l'appareil si le cordon ou la prise est endommagé. Si l'appareil ne fonctionne pas adéquatement, faites appel à un technicien qualifié qui pourra examiner et réparer l'appareil.

N'utilisez JAMAIS ce lit si le cordon ou la prise est endommagé, s'il ne fonctionne pas adéquatement, s'il est tombé, endommagé ou immergé dans l'eau. Rappelez le lit dans un centre de service pour y être examiné et réparé.

Sur un lit à commande entièrement électrique, la manivelle Hi/Lo DOIT être retirée avant d'utiliser le lit. Le non-respect de cette consigne peut provoquer des

dommages ou des blessures.

Faites appel à un technicien qualifié pour tout besoin de réparation. La mise à la terre de l'appareil requiert l'utilisation d'une prise de courant avec mise à la terre.

Assurez-vous que le câble du boîtier de commande et le cordon d'alimentation sont disposés et fixés de manière à ne pas se mêler, être coincés ou endommagés lorsque les commandes sont activées.

Débranchez le lit de sa source d'alimentation avant l'entretien.

Débranchez le cordon de la source d'alimentation avant d'effectuer des opérations d'entretien sur le lit manuel / électrique. Ne débranchez PAS le cordon d'alimentation au niveau du boîtier de connexion. Le non-respect de cette consigne endommagerait le cordon.

Prenez des précautions lorsque vous débranchez le boîtier de commande. N'appuyez sur AUCUNE commande pendant cette opération.

Lorsque le lit n'est pas utilisé pendant une période prolongée, débranchez le lit de sa source d'alimentation électrique.

Lorsque vous utilisez une rallonge, n'utilisez qu'une rallonge à trois brins dont le calibre est au moins 16 AWG (American Wire Gauge) avec les mêmes spécifications nominales que l'appareil pour lequel elle est utilisée. L'utilisation d'une rallonge inadéquate constitue un risque de décharge électrique et d'incendie. N'utilisez pas d'adaptateur « trois broches vers deux broches ». L'utilisation d'un tel adaptateur peut causer un défaut de mise à la terre et constituer un risque de décharge électrique pour l'utilisateur.

Lorsqu'un équipement d'oxygénation à canules nasales ou à masque est utilisé, la tubulure d'oxygène ou d'air doit être installée et fixée adéquatement de manière à ce que la tubulure ne puisse pas s'emmêler ou être endommagée lors des manœuvres d'ajustement du lit.

N'utilisez PAS cet équipement dans un environnement qui contient des gaz explosifs.

L'utilisation de cet équipement constitue un risque d'incendie lorsque de l'oxygène est administré autre-

ment que par canule nasale ou un masque.

N'utilisez qu'un équipement d'oxygénation à canules nasales ou à masque en conjonction avec ce lit. L'utilisation de TOUT AUTRE type d'équipement d'oxygénation constitue un risque d'incendie.

Avant de brancher / débrancher les connecteurs à la boîte de raccordement, appuyez légèrement sur le bout des languettes et soulevez le connecteur. Après avoir branché tous les connecteurs, passez tous les câbles dans le passe-câble refermable et fermez le passe-câble. Lorsque vous branchez des connecteurs dans la boîte de raccordement, assurez-vous que le mécanisme de verrouillage du connecteur est bien enclenché. Le non-respect de cette consigne peut cause des blessures ou des dommages.

Ne forcez PAS le connecteur dans une prise de la boîte de raccordement. Le non-respect de cette consigne peut cause des blessures ou des dommages.

Ne débranchez PAS le cordon d'alimentation au niveau de la boîte de raccordement.

Ne débranchez PAS le cordon d'alimentation au niveau du logement du moteur.

99 Seaview Boulevard
Port Washington, NY 11050
Phone: 516-998-4600
Fax: 516-998-4601
www.drivemedical.com

driveTM