



C.T.M. Power Chair

HS-1500 User's Manual



TABLE OF CONTENTS

Introduction	1
Important Precautions	2
Electromagnetic Interference and Warnings	3
Identification of Parts	5
Operating Your Power Chair	8
Disassembling / Re-assembling Your Power Chair	11
Charging the Batteries	13
Care and Maintenance	14
Troubleshooting	16
Technical Specifications	18

INTRODUCTION

Thank you and congratulations on purchasing your new C.T.M. Power Chair. It is designed to provide you with transportation indoors and outdoors.

Chien Ti Enterprise Co., Ltd. is the manufacturer for the C.T.M. mobility power chair. We pride ourselves on providing safe and comfortable products. Our goal is to ensure your complete satisfaction with our product. We are certain that you will enjoy your C.T.M. power chair.

Please read and observe all warnings and instructions given in the owner's manual before operating this power chair. Also, retain this booklet for future reference.

If you have any questions, please contact your local dealer or:

C.T.M.HOMECARE PRODUCT, INC.

13815 Magnolia Ave. #B, Chino CA 91710

Toll Free : 1-866-466-8168 Tel : 909-590-1388 Fax : 909-590-3365

E-Mail : ctm@ctmhomecare.com [http : //www.ctmhomecare.com](http://www.ctmhomecare.com)

or your local dealer:

IMPORTANT PRECAUTIONS

- Only one person at a time can ride a C.T.M. Power chair.
- Maximum load is 115 kg / 255 lbs.
- Turn off the power before getting on or off your power chair.
- Always drive carefully with your feet on the footplate and be aware of others in your area.
- Always use pedestrian crossings where possible. Take extreme care crossing roads.
- Do not drive on slopes exceeding 6 degrees, and take extreme care when turning on slopes.
- Do not use full power when turning sharp corners.
- Take great care and use low speeds for backing up, riding downhill, over uneven surfaces and curb climbing.
- The power chair may not operate well in high humidity.
- Never put your power chair in neutral on slopes.
- Follow all traffic laws when you ride in the vicinity of public roads.

ELECTROMAGNETIC INTERFERENCE AND WARNINGS

CAUTION: It is very important that you read this information regarding the possible effects of Electromagnetic Interference on your power chair.

Powered wheelchairs and motorized scooters may be susceptible to electromagnetic interference (EMI), which is interfering electromagnetic energy (EM) emitted from sources such as radio stations, TV stations, amateur radio (HAM) transmitters, two-way radios, and cellular phones. The interference (from radio wave sources) can cause the power chair to release its brakes, move by itself, or move in unintended directions. It can also permanently damage the power chair control system. The intensity of the interfering EM energy can be measured in volts per meter (V/m). Each power chair can resist EMI up to a certain intensity. This is called its "immunity level." The higher the immunity level, the greater the protection will be. At this time, current technology is capable of achieving at least a 20 V/m immunity level, which would provide useful protection from the more common sources of radiated EMI. The immunity level of this product is 20 (V/m).

There are a number of sources of relatively intense electromagnetic fields in the everyday environment. Some of these sources are obvious and easy to avoid. Others are not apparent and exposure is unavoidable. However, we believe that by following the warnings listed below, your risk to EMI will be minimized.

Electromagnetic Interference and Warnings :

The sources of radiated EMI can be broadly classified into three types:

1. Hand-held portable transceivers (transmitters-receivers) with the antenna mounted directly on the transmitting unit. Examples include: citizens band (CB) radios, "walkie talkie," security, fire, and police transceivers, cellular telephones, and other personal communication devices.



Some cellular telephones and similar devices transmit signals while they are ON, even when not being used.

2. Medium-range mobile transceivers, such as those used in police cars, fire trucks, ambulances, and taxis. These usually have the antenna mounted on the outside of the vehicle.

3. Long-range transmitters and transceivers such as commercial broadcast transmitters (radio and TV broadcast antenna towers) and amateur (HAM) radios.



Other types of hand-held devices, such as cordless phones, laptop computers, AM/FM radios, TV sets, CD players, and cassette players, and small appliances, such as electric shavers and hair dryers, so far as we know, are not likely to cause EMI problems to your power chair.

Power Chair Electromagnetic Interference :

Because EM energy rapidly becomes more intense as one moves closer to the transmitting antenna (source), the EM fields from hand-held radio wave sources (transceivers) are of special concern. It is possible to unintentionally bring high levels of EM energy very close to the power chair control system while using these devices. This can affect power chair movement and braking. Therefore, the warnings listed below are recommended to prevent possible interference with the control system of the power chair.

Electromagnetic Interference and Warnings :

Warnings

Electromagnetic interference (EMI) from sources such as radio and TV stations, amateur radio (HAM) transmitters, two-way radios, and cellular phones can affect the power chair. Following the warnings listed below should reduce the chance of unintended brake release or power chair movement, which could result in serious injury.

1. Do not operate hand-held transceivers (transmitters-receivers), such as citizens band (CB) radios, or turn ON personal communication devices, such as cellular phones, while the power chair is turned ON;
2. Be aware of nearby transmitters, such as radio or TV stations, and try to avoid coming close to them;
3. If unintended movement or brake release occurs, turn the power chair OFF as soon as it is safe;
4. Be aware that adding accessories or components, or modifying the power chair, may make it more susceptible to EMI; and
5. Report all incidents of unintended movement or brake release to the distributor listed on the inside front cover of this manual. Note whether there is a source of EMI nearby.

Important Information

1. 20 volts per meter (V/m) is a generally achievable and useful immunity level against EMI (as of May 1994). The higher the level, the greater the protection.
2. The immunity level of this product is 20 (V/m).

IDENTIFICATION OF PARTS

Before attempting to drive this power chair on your own, it is important that you familiarize yourself with the controls and how they operate.

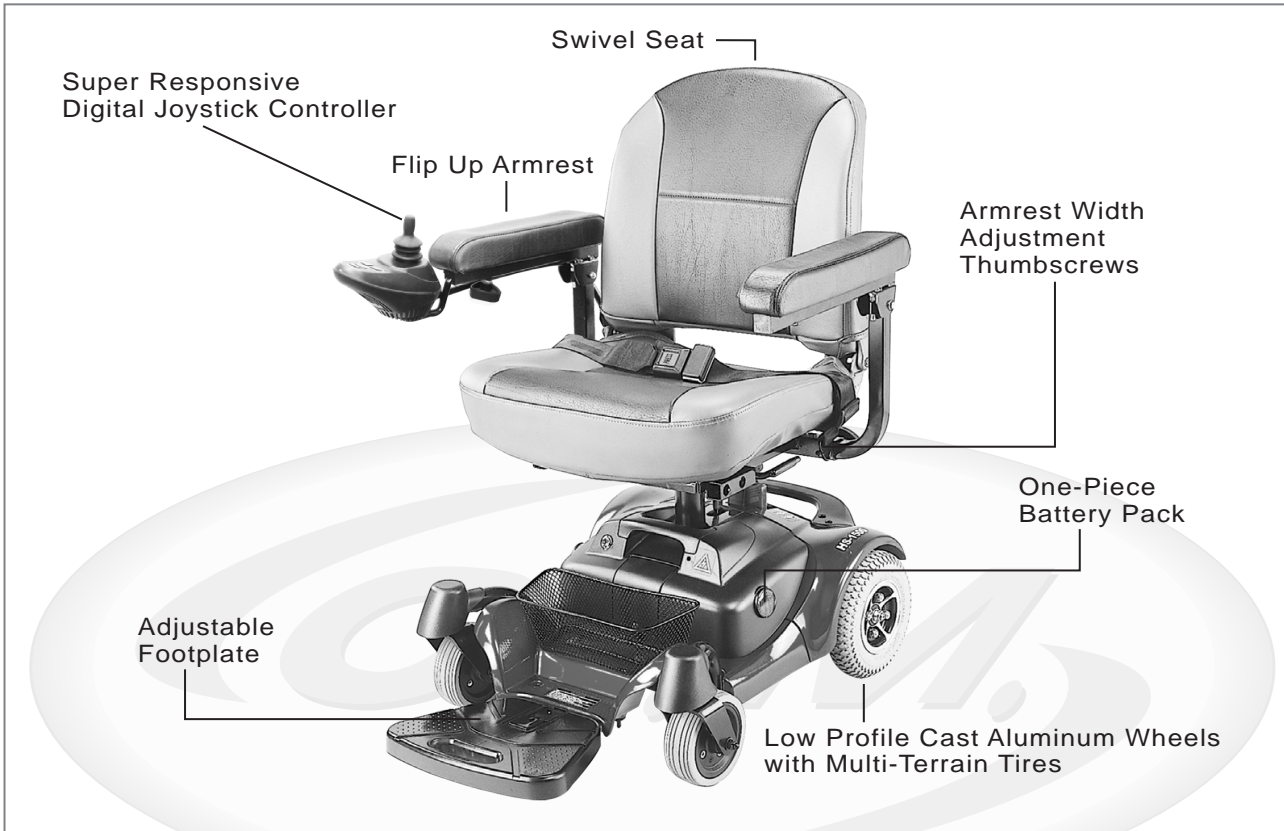


Figure 1 - HS-1500 Power Chair Front View

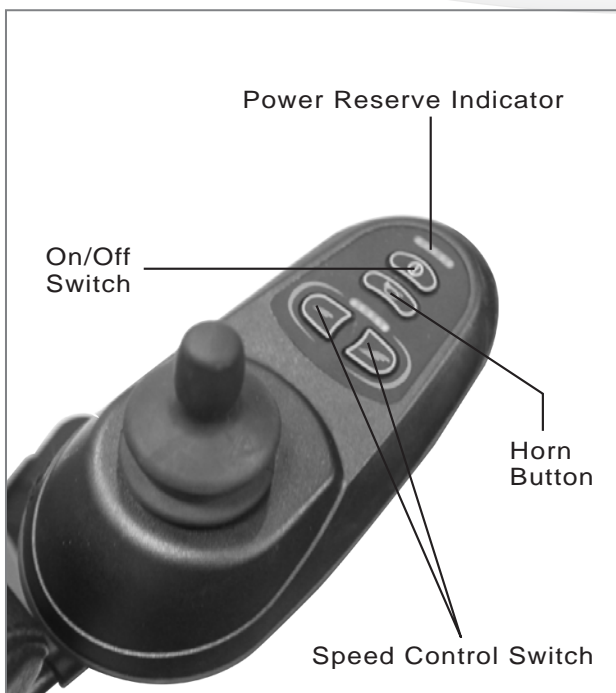


Figure 2 - HS-1500 Joystick

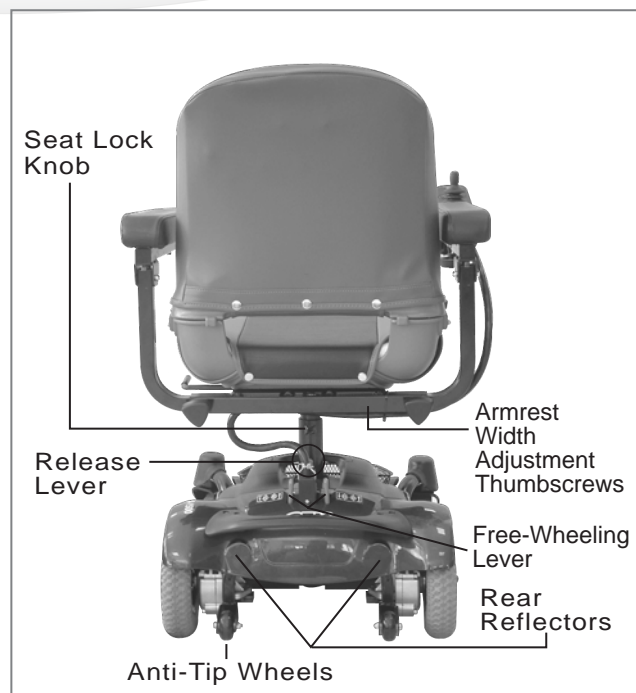


Figure 3 - HS-1500 Power Chair Rear View

Joystick :

- Speed Control Switch

By pressing the right switch, you can increase the speed. Pressing the left switch will decrease the speed.

- Power Reserve Indicator

There are LED Power Reserve lights on the joystick. When all LED lights are on, the batteries are fully charged. When a few of the lights are lit, the batteries need to be recharged.

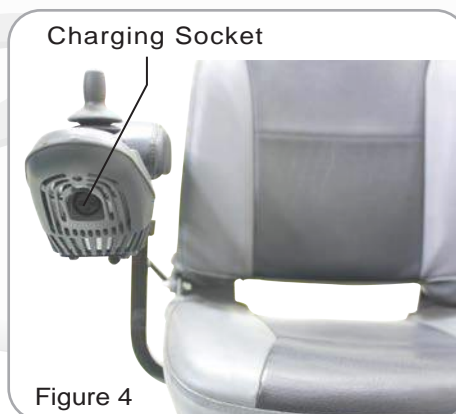
These lights also act as Self Diagnostic Warning Lights. When they flash, there is a problem with the power chair. See page 16 for more information.

- Joystick Length Extension Knob

Loosen the knob to adjust the joystick length.

- Charging Socket

When charging your power chair, use the power cord provided. To correctly charge your power chair, connect one end to the power chair charging socket and the other end to a wall outlet. See Charging the Batteries, page 13 for further instructions.

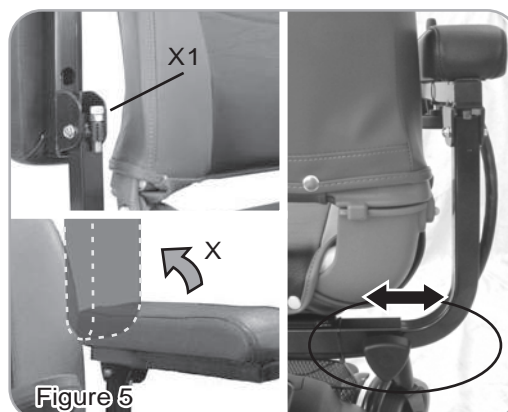
**Armrest :**

- Armrest Width Adjustment Thumbscrews

Loosen the two thumbscrews to adjust the armrest width; tighten again to lock in the desired position.

- Armrest Height Adjustment Screw

By adjust screw (X1) to a comfortable position.

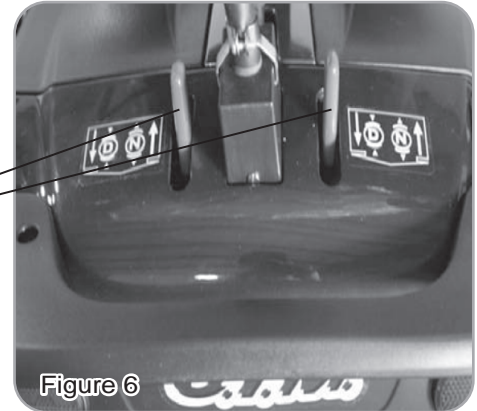


Power Base :

- Free-Wheeling Lever

When the lever is in the N (Neutral) position, the power chair can be moved without power. When the lever is in the D (Drive) position, the power chair can be driven. Normal position is D.

Free-Wheeling Levers



- Circuit Breaker

This is to protect your power chair from any excess current within the electrical parts. If the power chair suddenly stops, pushing the circuit breaker back in will help resolve this problem.

- Anti-Tip Wheels

Added safety feature to keep chair from tipping over.



Below Seat :

- Seat Rotation Lever

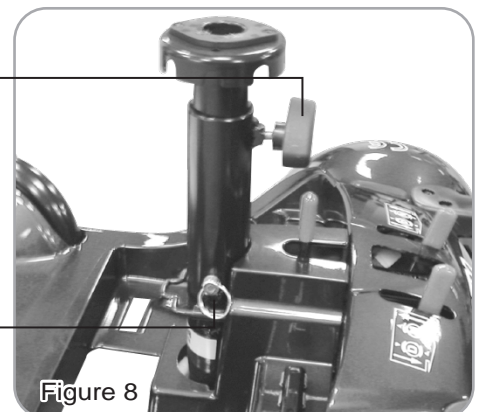
Pull the seat rotation lever up to adjust seat's turning angle, also can lift up the seat. Do not turn the seat more the 180 degree due to length of joystick cable.

- Seat Lock Knob & Pin

Turn seat lock knob counterclockwise to loose. Turn it clockwise to lock seat in position. Remove the battery pack to locate the seat lock pin. There are three holes on seat post to adjust seat height. Be sure lock pin is fully inserted at its new height and knob is tightened if adjusted.

Seat Lock Knob

Seat Lock Pin



OPERATING YOUR POWER CHAIR

Before beginning your journey with your new power chair, make sure that the power chair is on a level surface and clear of any obstacles. Although your power chair is able to climb slopes it is safer to practice on a level surface.

1. Before operating your power chair, check the following:

- freewheeling lever is on D.
- speed control switch is at the lowest speed (repeatedly pressed left switch).

2. Sit on the chair and fasten the seatbelt.

3. When turning on the button on the joystick, all power reserve LED lights should be lit. All power reserve lights should not be flashing.

4. While resting your arms on the armrests, the joystick should be within reach. By pushing the joystick slightly forward, the power chair will move forward slowly. Pushing the joystick fully forward, it will move at normal speed. Adjusting the speed control switch will also decrease and increase the speed. Also, with the joystick you are able to turn the chair 360°. When the joystick is released and back in the neutral position, the chair will stop.

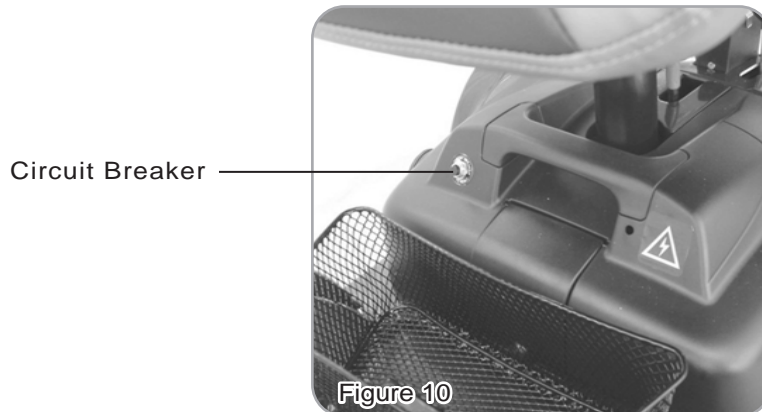


Figure 9

5. Practice driving where there are no obstacles. Start at the slowest speed and move forward and backward; make some turns. As you get more comfortable you can increase the speed by pressing the speed control switch repeatedly.

6. When the power reserve Indicator is lit in only a few sections, you should plan to recharge the batteries very soon.

7.If the power chair suddenly stops and does not function, locate the circuit breaker at the rear of the power chair. Push it in and try the power chair again.



8.When you are finished driving your power chair, turn the power off before getting out. It is recommended that you lift the armrest and get out to the side, for safety.



Caution: While standing up, avoiding standing on the footplate as it may cause injury.

9.If you are finished riding for the day, immediately recharge the batteries. See **CHARGING THE BATTERIES** on page 13.

Keep in mind these rules :

- Use your power chair only where it would be safe to walk.
- Use low speeds for reverse, downhill, ramps, curbs, or uneven surfaces.

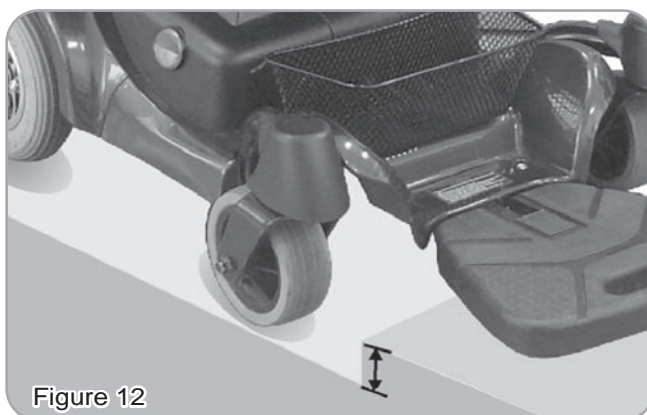
Other Operating Information :

Hill climbing: You may need to use a higher speed. For a higher speed, press the right speed control switch repeatedly.

Down slopes: To proceed down steep slopes slowly, press the left speed control switch. This enables driver control when the speed is set at a slower motion. However, your power chair will not self accelerate down hills due to the automatic braking taking effect should you attempt to drive too fast.

Curb climbing: Approach slowly at right angles to the curb. A direct approach is needed.

Do not attempt curb climbing greater than a 0.9" curb.



If the Self-Diagnostic Warning Lights start to flash, identify the problem from the chart on page 16 and take action.

If the power chair breaks down and must be moved aside, please follow these directions:

1. Get off the power chair.
2. Push the free-wheeling lever to N.
3. Move the power chair slowly to a safe location.
4. Put the free-wheeling lever back to D.

DISASSEMBLING / RE-ASSEMBLING YOUR POWER CHAIR

Taking apart your power chair enables you to save space when keeping it in storage or to carry it along in your vehicle when going away from home. Having the power chair disassembled is easier than ever since no tools are required. To ensure your safety, please have the freewheeling lever to D to engage the motor.

Disassembling :

Unplug the Joystick Cable Connector (A) at the rear of the power chair. (See Fig. 11)
 Pull the Seat Rotation Lever (B) underneath the front part of the seat to unlock. Lift Seat (C) up to remove. (See Fig. 12)

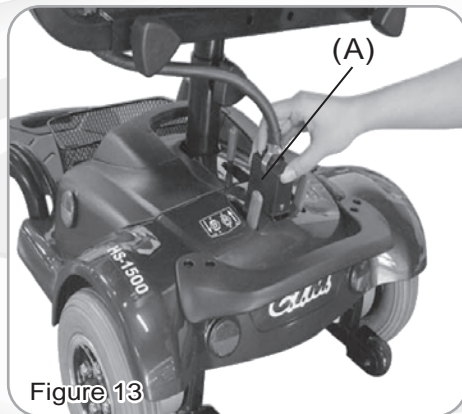


Figure 13

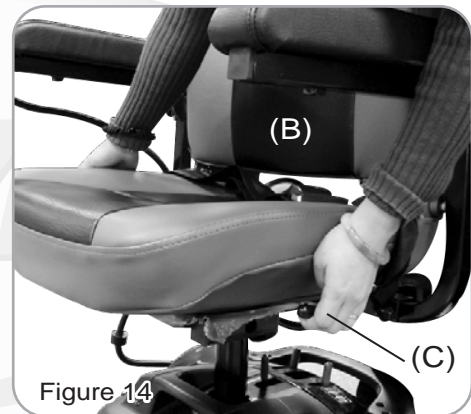


Figure 14

Remove the Basket by turning and removing the center Rivet (D). (See Fig. 13)
 Remove the Battery Pack (E) by holding the Battery Pack with one hand and the other hand pushing the Release Lever (F) to the rear of the chair. (See Fig. 14)

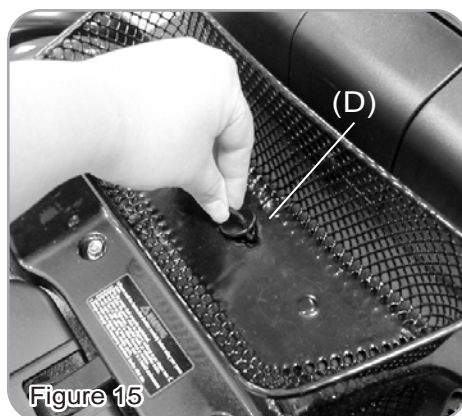


Figure 15

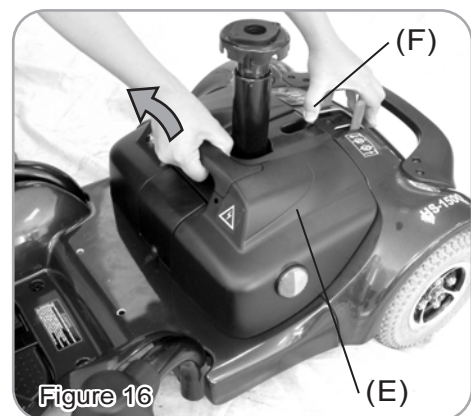
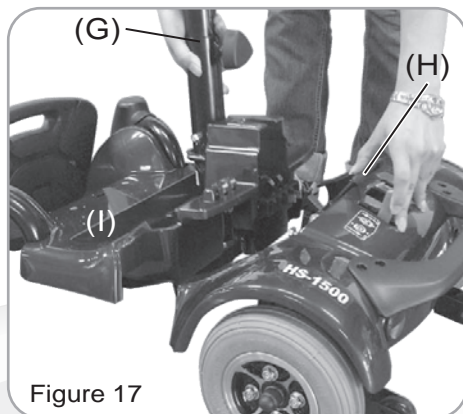


Figure 16

Detach the chair frame by holding the Seat Post (G) with one hand, the other hand pushing the Release Lever to the rear of the chair. Lift the seat post to separate the Front Frame Assembly (H) from the Rear Frame Assembly (I). (See Fig. 15)

Once all the parts have been disassembled, you are now able to put the pieces in storage or in a vehicle for transportation. (See Fig. 16)



Re-assemble :

To re-assemble your power chair, you can repeat the disassembly directions in reverse.

CHARGING THE BATTERIES

Your C.T.M. power chair is equipped with two, service free 12V 14Ah rechargeable batteries and one 24V/2A on-board charger. Batteries must be charged before using the power chair for the first time and recommended to be charged up to 8 - 14 hours after each day's use. Be sure the power switch is in the OFF position and the free-wheeling lever is in the "D" position.

1. Insert the battery charger cord into the charging socket on the joystick.
2. Plug the other end of the power cable into a standard electrical wall outlet.
3. Once the batteries are fully charged, the light on the charger will change to green, please unplug the power cord from the wall outlet and the power chair. The power cord should be stored in a safe and dry location until it will be used again.



Figure 19

4. If after charging your power chair over 8 - 14 hours and it does not function, please check:
 - fuse is not burned out
 - the power chair is turned off
 - circuit breaker is pushed in
 - if none of these is a problem, contact your authorized dealer.



The time needed to recharge will vary depending on the depletion of the batteries. Charging for longer than necessary will not harm the batteries. They cannot be overcharged.

For safety, please follow the guidelines below :

1. DO NOT use the charger if the power cord is damaged.
2. DO NOT use an extension cord when charging your batteries.
A risk of fire and/or electric shock could be encountered.
3. DO NOT take apart the charger, as this will void the warranty.

Keep in mind these rules :

- Fully charge batteries at least once a month, or more if you use power chair regularly. Charge after each trip exceeding 3 kilometers.
- If storing your power chair for some time (1 month or more), make sure that batteries are fully charged, and on returning, charge them again before using power chair.
- Batteries will only give maximum performance after power chair has been used, and batteries have been recharged up to 10 times. A bit like breaking in a new car.

Please be aware that the travelling range of your power chair is impacted by how fast the batteries are discharged. This will depend on many circumstances, such as ambient temperature, condition of the surface of the road, tyre pressure, weight of the driver, driving environment (inclines etc.) and utilisation of your lighting system if fitted. We recommend that you test your local ride with a family member to ensure a safe journey.

CARE AND MAINTENANCE

Taking care of your power chair will keep it in top-notch condition. It is recommended that you have your dealer provide preventative maintenance service of your power chair on a regularly basis. Here are a few maintenance guidelines:

BODY COVER:

If your power chair is dirty, use a damp or lightly soapy cloth to wipe it down. Do not use running water to wash or rinse the power chair in order to protect the electrical parts. Polish with an automotive liquid polish.

SEAT AND ARMRESTS:

The seat material used by C.T.M. is a product of high quality and will remain in good condition for many years if treated responsibly. Using a damp cloth helps clean the upholstery greatly. Please note that using the power chair outdoors can lead to sun damage of the upholstery material. Since this is a normal wear and tear condition, it is not covered under the warranty.

SEAT BELT:

A damp cloth with mild soapsuds should only be used to clean the seat belts. Wipe the seat belts gently removing any debris on it. Do not use any chemical products to clean the seat belts as the fabric will be weakened.



An authorized dealer should handle all maintenance and repair of your power chair that is associated with electronics, batteries, motor parts, and tires. Here are the guidelines that can be followed by the authorized dealer.

FLAT SPOT (for solid tires only):

During the storage period, a flat spot may occur on solid tires. Weather conditions and storage period could determine the condition of flat spots. By driving the power chair 20 to 30 minutes, flat spots can be eliminated.

TIRE PRESSURE (for air-filled tires only):

The condition of the tires and maintenance of the specified tire pressures not only influence tire life but also road safety to a very considerable extent. Incorrect pressures are often a cause of tire problems and could result in an accident. The recommended tire pressure is 35 psi.

TIRE TREAD:

Inspect the tires frequently for any signs of damage, unusual wear and sufficient tread depth. Thread depth should not be allowed to drop below 1 mm.

ELECTRICAL CONNECTIONS:.

Verify the battery terminals and all plug connectors are secured and firmly attached. If the battery terminals are corroded, please contact your dealer for replacement.

HARDWARE:

Check that all hardware exist and are securely fastened. Replace any missing hardware by contacting your dealer for information of parts.

Additional Information

STORING:

Also between uses, your power chair is best stored in a dry location at room temperature.

TROUBLESHOOTING

Here are some suggestions about solving problems you may have with your power chair. There are 10 LED Self-Diagnostic Warning Lights on the Control Panel. To check the Self-Diagnostic Warning Lights, turn the power chair on and count the number of flashes.

Number of Flashes	Solution
1 bars	The battery needs charging or there is a bad connection to the battery. Check the connections to the battery. If the connections are good, try charging the battery.
2 bars	The left hand motor has a bad connection. Check the connections to the left hand motor.
3 bars	The left hand motor has a short circuit to battery connection. Contact your service agent.
4 bars	The right hand motor has a bad connection. Check the connections to the right hand motor.
5 bars	The right hand motor has a short circuit to battery connection. Contact your service agent.
6 bars	Not used.
7 bars	A joystick fault is indicated. Make sure that the joystick is in the center position before switching on the controller.
8 bars	A controller fault is indicated. Make sure that all connections are secure.
9 bars	The parking brakes have a bad connection. Check the parking brake and motor connections. Make sure the controller connections are secure.
10 bars	A excessive voltage has been applied to the controller. This is usually caused by a poor battery connection. Check the battery connections.

If the programmable parameter, Motor Swap, has been changed then left and right hand references in this table will need transposing.

Other Problems :

- Power chair will not move when the power is turned on:
 1. Check the Battery Level Indicator on the joystick. All the LED lights should be on.
 2. Check the Self-Diagnostic Warning Light. It should be steady. If it is flashing, see the chart on page 16 for the problem identification.
 3. Check all electrical connections to be sure they are tight.
 4. Verify the batteries are connected correctly.
 5. If none of these suggestions correct the problem, contact your authorized dealer.

- If charging your power chair over 14 hours and the light on the charger does not change to green, then contact your authorized dealer.

Please note that your power chair is equipped with a controller that constantly checks the drive system for a safe and enjoyable ride. If an error occurs, the Battery Level Indicator will provide you an indication of the problem by way of flashing lights.

SPECIFICATION

Overall Length	31.9"
Overall Width	23.6"
Overall Height	36.8"
Front Wheels	5"
Middle Wheels	N/A
Rear Wheels	8"
Weight W/ Batteries	105.4 lbs
Max. Speed	4 mph
Weight Capacity	255 lbs
Ground Clearance	1.6"
Grade Climbable	6 degree
Curb Climbable	0.9"
Turning Radius	27.4"
Suspension	N/A
Brake	Electro-Mechanical
Seat Type	Swivel Light Weight Foldable, Adjustable Seat Height W/ Seat Belt
Seat Width	18.5"
Drive Train	2 Motor, Rear-Wheel Drive
Motor Size	150W 2800 r.p.m
Battery Size	(2) 12V. 14Ah
Battery Weight	23 lbs
Travel Range	5.2 Miles
Battery Charger	2A Off Board

*Subject to change without notice. (Rev. 2, 2017/06/12)