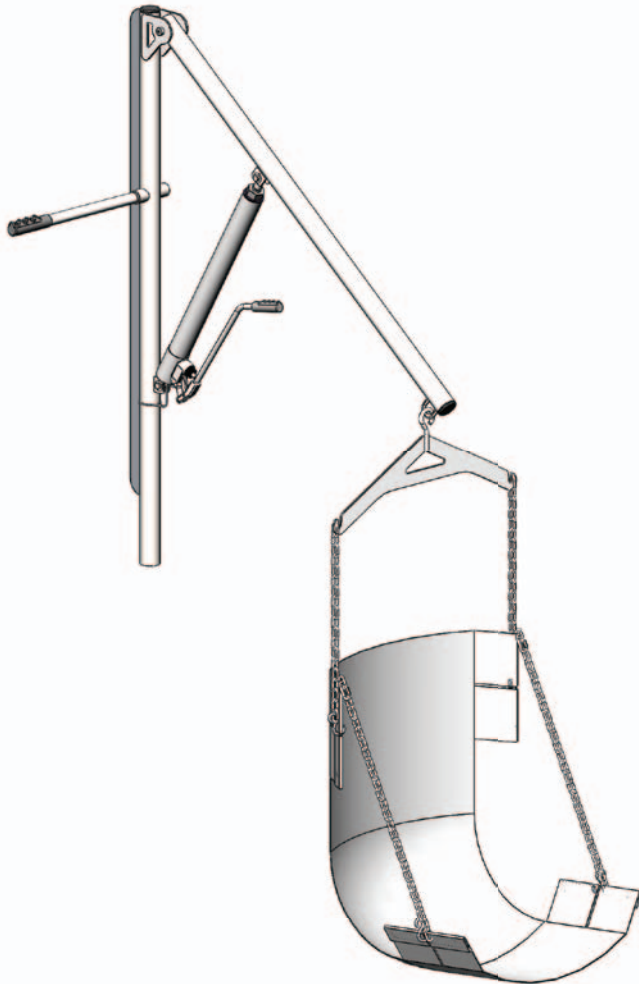


EZ Pool Lift



PART #: F-03EZPLNA

400 LB. [181 kg] MAXIMUM WEIGHT CAPACITY

MANDATORY

LEAVE THIS MANUAL WITH LIFT OWNER

Read and follow all instructions.

Lift safety can only be ensured if the lift is installed and operated according to these instructions.

- NEVER permit children to play on or around the lift
- Do not allow children to use the lift without adult supervision
- NEVER use the lift with a dry pool

READ CAREFULLY

Check entire box and all packing materials for parts. Before beginning assembly, read the instructions and identify parts using the figures and parts listed in this document.

It is critical that all parts be carefully inspected prior to installation. If any damage occurred in transit, Aqua Creek Products, LLC must be notified within three days of receipt of unit.

Proper installation cannot be overstressed, as an improper installation voids Aqua Creek's warranty and may affect the safety of the user.

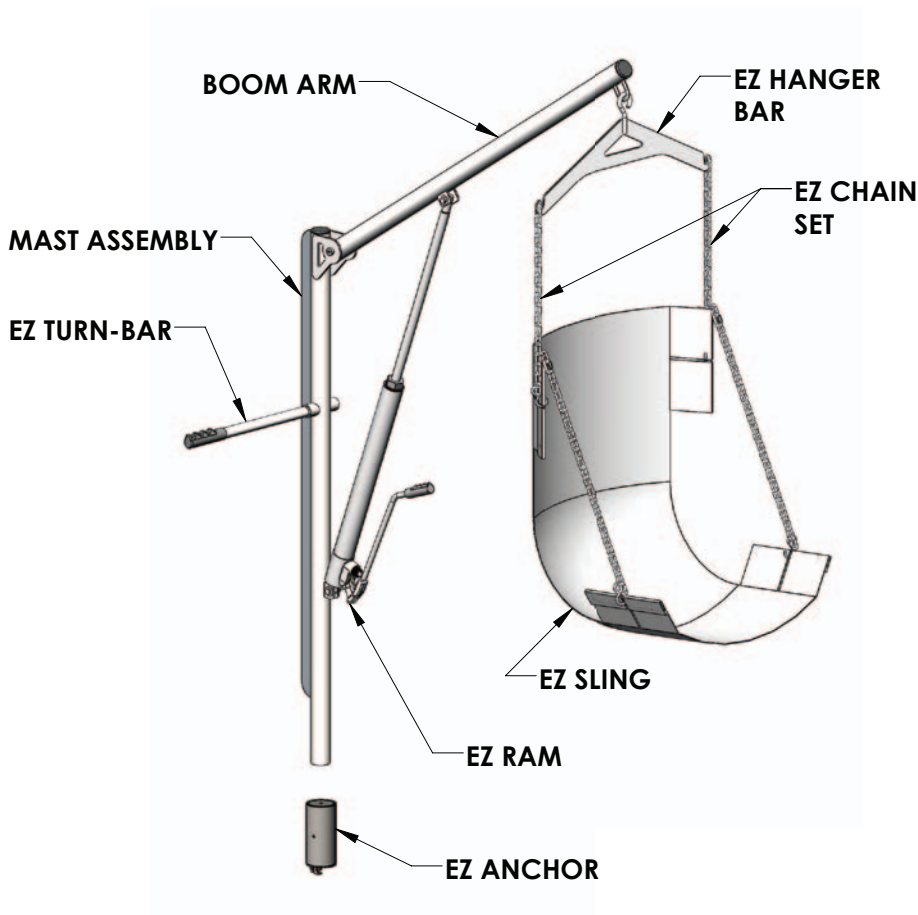
EZ Lift

Table of Contents

PAGE	DESCRIPTION	PAGE	DESCRIPTION
2	EZ Components	7	Operating Instructions
3-4	Anchor Installation: Retro-Fit	8	Proper Care of Pool/Spa Lift
5	Anchor Installation: New Construction	9	Parts List
6	Assembly Instructions	10	Warranty

EZ Components

The EZ lift will arrive partially assembled in multiple boxes. Begin by removing all parts from the boxes and locating the parts for your lift in the parts lists below. Refer to the parts breakdown drawings in the back of this manual for assistance.



BOX 'A' CONTENTS

QTY	DESCRIPTION
1	EZ BOOM ARM & MAST
1	EZ TURN-BAR [A-0808EZTB]

BOX 'B' CONTENTS

QTY	DESCRIPTION
1	HYDRAULIC RAM
1	EZ SLING [F-034EZS]
1	EZ CHAIN SET [F-031EZCH]
1	EZ HANGER [F-038EZHB]
4	EZ SLING BARS [F-032EZB]
1	ANCHOR (IF ORDERED WITH LIFT)
2	3/8" X 1 3/4" HEX BOLT
4	3/8" FLAT WASHER
2	3/8" NYLOCK NUT
1	OWNERS MANUAL

Anchor Installation: Retro-Fit Concrete

TOOLS REQUIRED:

TAPE MEASURE	4" CORE DRILL BIT
CORE DRILL	FELT TIP MARKING PEN
ELECTRICAL TAPE	VACCUUM OR COMPRESSED AIR
CARPENTERS LEVEL	2-PART EPOXY (or equivalent)

NOTE: The concrete deck around the anchor should be a minimum of 8 inches thick and reinforced with #4 bars at 10 inches on center, each way. The total concrete pad area should be at least 60 inches wide and 60 inches long.

- 1.** Determine the best location for the lift. Mount the lift at a location that provides 42 inches [107cm] to 48 inches [122cm] deck level to the bottom of the pool (usually the shallow end). Make sure the location has enough clear deck space to easily transfer. The lift requires at least 6 feet [1.8 meters] of unobstructed deck to each side of the lift to accommodate easy maneuvering of the lift over the water and back. Keep in mind this lift will require assistance so locate an area that can accommodate another person.
- 2.** Locate the concrete anchor socket that came with your lift. Be careful to not lose the protective cap on the anchor as this will be used to keep dirt and debris out of the socket when the lift is not installed in the anchor.
- 3.** The setback to the center of the anchor must be no less than 12 inches [30.5cm] and no more than 20 inches [51cm] from the pool wall. The anchor location must also be at least 6 inches [15cm] from any control joint or edge of concrete slab. Measure the location out using the tape measure and marking pen. See FIGURE 1 on page 4 for details.
- 4.** Core drill at least a 4 inch [10cm] diameter hole at the desired location for the lift anchor socket. The hole will need to be 7 inches [18cm] deep to allow for the grounding lug which protrudes from the bottom of the anchor.

NOTE: Use the electrical tape to make a mark on your drill bit at 7 inches [18cm] as a depth mark to tell you when to stop drilling.
- 5.** Clean out the hole using a vacuum or compressed air. Check that the hole is deep enough to allow the anchor to be flush with the finished deck surface.
- 6.** Ground the anchor according to your local code requirements. This may require additional drilling and/or other tools.

Anchor Installation: Retro-Fit Concrete

7. Carefully insert the anchor into the hole. Pour a small amount of 2 part epoxy, or equivalent, around the anchor. Check that the anchor will sit level or flush with the finished deck surface.

NOTE: Fill the hole about 1/3 full of 2 part epoxy, or equivalent, prior to inserting the anchor. As you insert the anchor, rotate it back and forth so that you can evenly distribute the cement or epoxy around the anchor.

8. Once anchor is level and flush with deck, pour cement or epoxy into the remaining space around the anchor making sure there are no void spaces. Let cement or epoxy cure for 24 hours (or minimum manufacturer's recommendations) before installing and using lift.

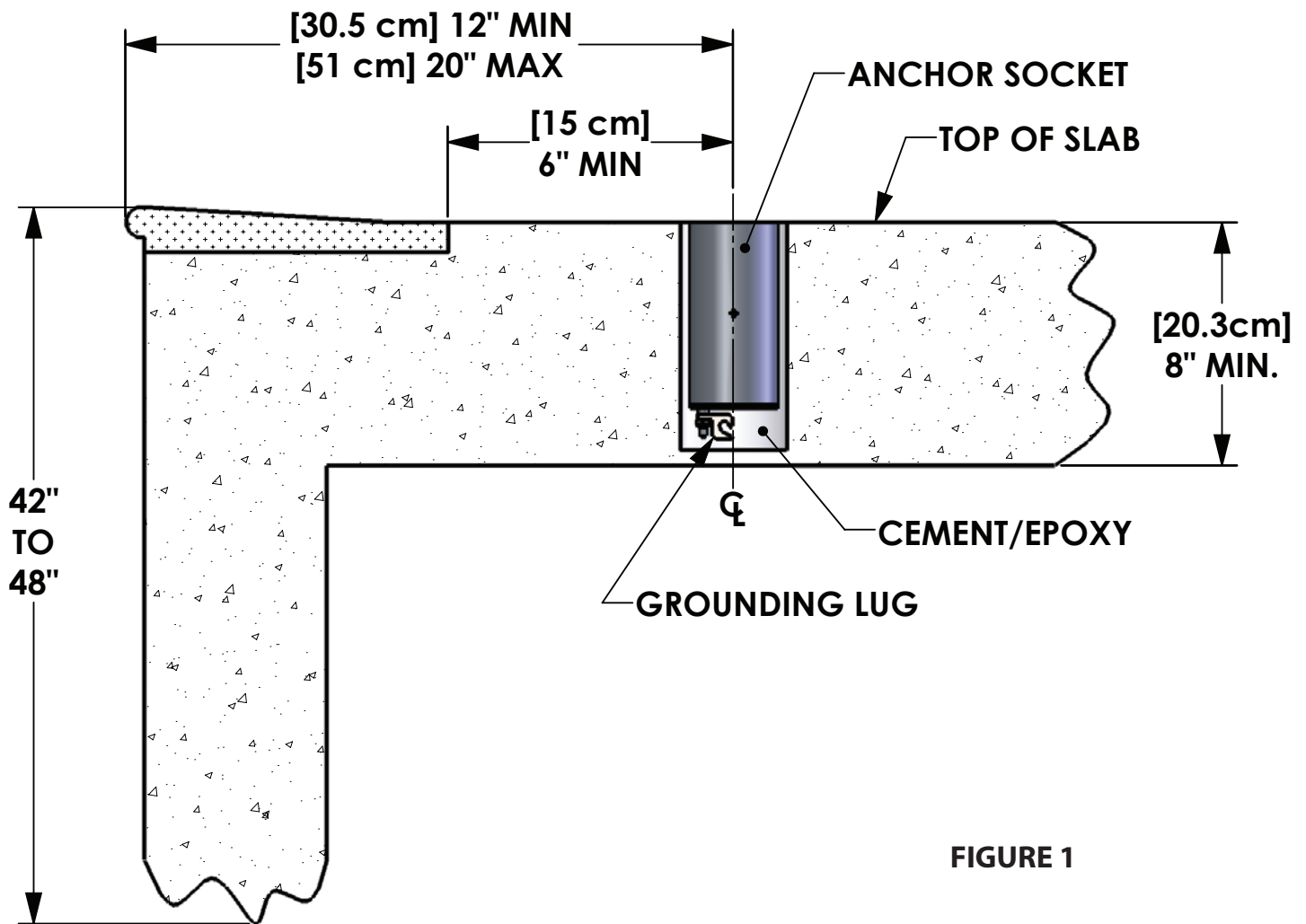


FIGURE 1

Anchor Installation: New Construction

TOOLS REQUIRED:

TAPE MEASURE

CARPENTERS LEVEL

MARKING PEN

STRING LINE

STRING LEVEL

NOTE: The concrete deck around the anchor should be a minimum of 8 inches thick and reinforced with #4 bars at 10 inches on center, each way. The total concrete pad area should be at least 60 inches wide and 60 inches long.

- 1.** Determine the best location for the lift. Mount the lift at a location that provides 42 inches [107cm] to 48 inches [122cm] deck level to the bottom of the pool (usually the shallow end). Make sure the location has enough clear deck space to easily transfer. The lift requires at least 6 feet [1.8 meters] of unobstructed deck to each side of the lift to accommodate easy maneuvering of the lift over the water and back. Keep in mind this lift will require assistance so locate an area that can accommodate another person.
- 2.** Locate the concrete anchor socket that came with your lift. Be careful to not lose the protective cap on the anchor as this will be used to keep dirt and debris out of the socket when the lift is not installed in the anchor.
- 3.** The setback to the center of the anchor must be no less than 12 inches [30.5cm] and no more than 20 inches [51cm] from the pool wall. The anchor location must also be at least 6 inches [15cm] from any control joint or edge of concrete slab. Measure the location out using the tape measure and marking pen. See FIGURE 1 on page 4 for details.
- 4.** Ground the anchor according to the local code requirements.
- 5.** Place the anchor in the proper location using the string level and string line to make sure the top of the anchor will be flush with the finished surface of the new deck. Place a small amount of concrete at the location of the anchor to hold it in place.
- 6.** Verify all the measurements for accuracy and pour the deck as you normally would, making sure not to get any concrete inside the anchor system. Allow the concrete to cure before installing and using the lift.

Assembly Instructions

TOOLS REQUIRED:

9/16" WRENCH

3/4" WRENCH

The EZ Pool Lift arrives with the boom arm attached to the mast. To complete the assembly, layout all parts on a large, clean area.

1. Locate the hydraulic ram and attach the upper end of the hydraulic ram to the boom with one (1) 3/8" x 1-3/4" hex head bolt, two (2) 3/8" flat washers and one (1) 3/8" nylock nut. See Step 1.

2. Connect the lower end of the hydraulic ram to the mast with one (1) 3/8" x 1-3/4" hex head bolt, two (2) 3/8" flat washers and one (1) 3/8" nylock nut. See Step 2.

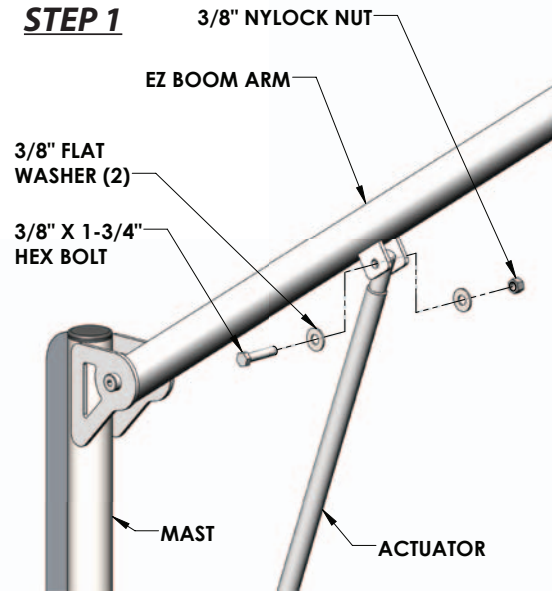
WARNING!! MAKE SURE THAT THE 3/8" ROD END IS ALWAYS FULLY SEATED WITH THE MAXIMUM ALLOWABLE THREAD BEING USED.

3. Install lift into previously installed anchor socket in the pool deck. Make sure that the mast is seated at the bottom of the anchor. Check to ensure easy rotation of the lift in nylon lined anchor sleeve.

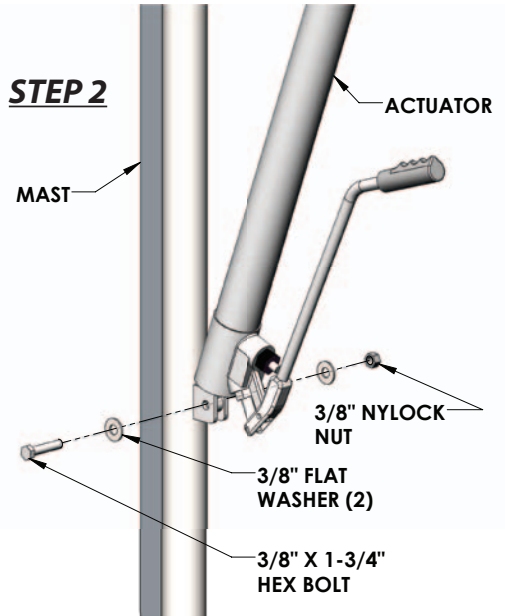
4. Locate the chain assembly and insert each "S" hook into the holes in the sling support bars (A). Attach the hanger to the boom eye on the lift (B). Adjust the chain links so that the sling is at the appropriate height to allow the user easy access (C). This may require several adjustments. Also, be mindful of any obstacles such as coping or a gutter that will need to be cleared. See Step 3.

Assembly is complete. Prior to lifting any persons, it is recommended that the lift be operated once without a load to check for proper functioning (and that the instructions for operating the lift be read and incorporated into a training program for the persons who will be operating the lift). For any person operating the lift, please continue to operating instructions. Read carefully for comprehension.

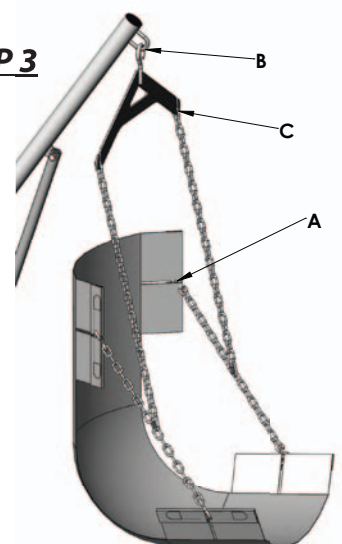
STEP 1



STEP 2



STEP 3



Operating Instructions

NOTE: For safety, check for worn parts and loose bolt connections prior to each use. All operators should be familiar with all lift components and their intended uses. Operators should also be comfortable with all lifting procedures before attempting to lift a person with the lift.

The EZ Pool Lift requires the use of an operator to assist the lift occupant with the transfer into the pool. There are two methods of loading the lift occupant into the harness. The method of loading will depend on the physical ability of the lift occupant. If the user is physically able, he/she can simply place themselves into the harness without need for assistance. If the user has very limited use of his/her upper body, it will be necessary to follow the procedure below.

1. With the lift in the raised position and the boom arm located over the deck, roll the user under the lift and engage the brakes on the wheelchair.
2. With the user facing the assistant, gently slide the mesh seat sling under the seated user while still in the wheelchair.
3. Attach the chain to the mesh sling and the overhead hanger bar. Avoid excess slack in the chain.
4. Ensure all chain connections are secure and the mesh seat sling is even on each side of user.
5. Raise the user by pumping the hydraulic ram handle until the desired height is achieved.
6. Rotate the lift so that the user is above the pool. Never push on the actuator! Use the turn bar or place one hand on the boom arm and one hand on the mast.
7. Lower the user into the water by pressing the handle towards the ram until it depresses the release pin. The hydraulic ram automatically controls the rate of descent for safety and control. Lower until the user is submerged sufficiently in the water to allow an easy transfer to the pool.
8. This procedure is repeated to remove a user from the water.
9. When the lift is not in use, remove the sling, hanger bar and mast from the anchor socket and replace the protective cap.

***Thank you for purchasing the Aqua Creek EZ Pool Lift. Enjoy the pool and this product for many years with proper use and maintenance.
See page 10 of this manual for proper care instructions.***

Proper Care of Pool & Spa Lifts

PROCEDURE	DAILY	WEEKLY	MONTHLY
Wash down lift with fresh water and dry with clean, soft, non-abrasive cloth.	✓		
Run the lift through a complete test cycle to verify it is functioning properly.	✓		
Visually inspect lift for damage, corrosion, and loose or missing hardware.	✓		
Thoroughly clean lift frame and apply a liberal coat of car wax to maintain the lift's finish.			✓
Check all Warning and Cautionary labels to make sure they are not faded or worn. Replace as needed.			✓

PROPER CARE NOTES

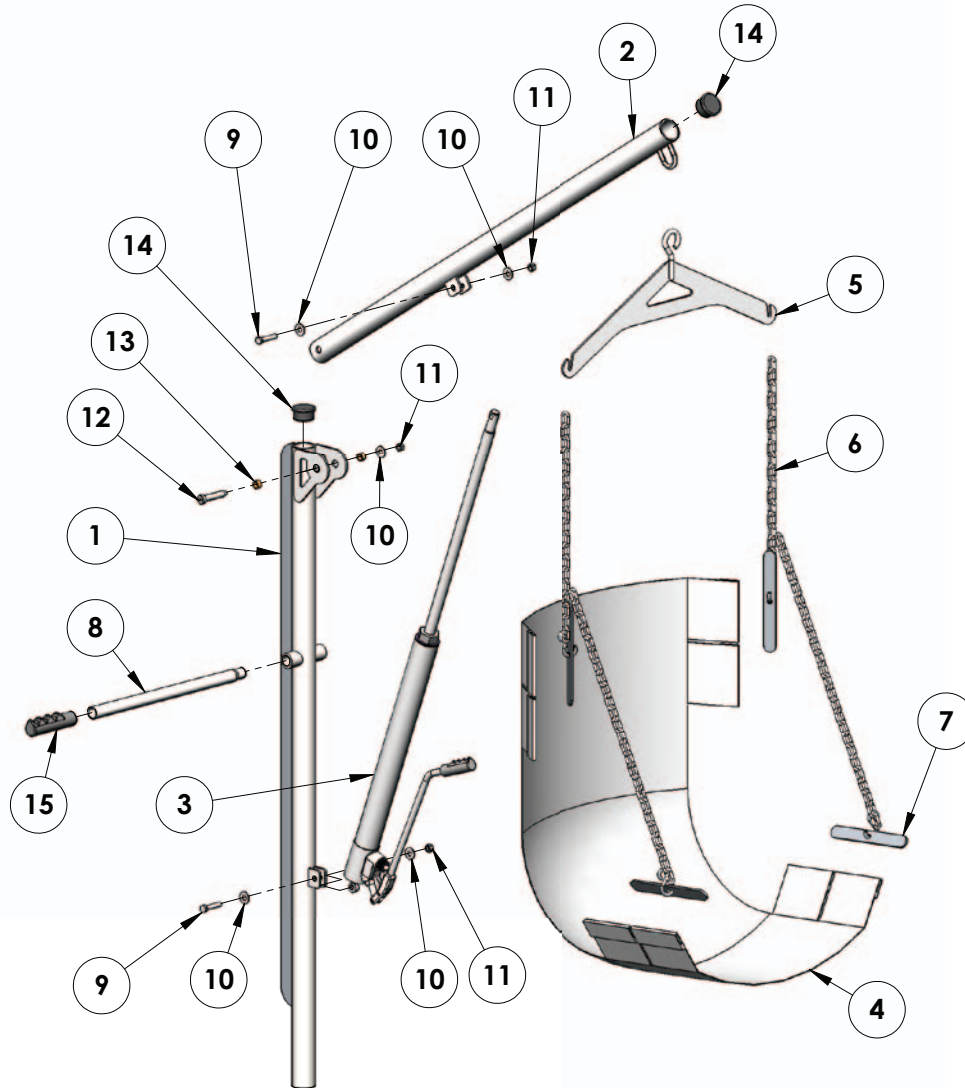
- **Use only fresh water to wash your lift. Do not wash with pool water.**
- Use only clean, soft, non-abrasive cloths to wipe down your lift.
- Do not store lift in pump room or near chemicals.
- Do not allow children to play on or around this lift.
- The lift may need to be bonded according to local code requirements.

STAIN REMOVAL TIPS:

To remove stubborn stains from finish, spray affected area with Mild Dish Soap, rub briskly with a 3M Scotch Brite™ pad. Use white epoxy paint to touch up the finish. Apply wax to protect when dry.

For service and/or replacement parts contact Aqua Creek direct at
Toll free: (888) 687-3552

Parts List



ITEM #	QTY	PART #	DESCRIPTION
1	1	EZWM-0804EZMA	MAST WELDMENT, EZ
2	1	EZWM-0804EZBA	BOOM WELDMENT, EZ
3	1	F-03EZCYC	HYDRAULIC RAM, FOR EZ POOL LIFT
4	1	F-034EZZS	SLING ONLY, STANDARD ADULT SIZE
5	1	F-038EZHBB	HANGER BAR, STANDARD
6	1	F-031EZCH	CHAIN SET, STANDARD
7	1	F-032EZBB	SLING BARS ONLY, SET OF 4
8	1	A-0808EZTB	EZ TURN BAR
9	2	BH 3/8 X 1-3/4	BOLT, 316 SS, 3/8-16 X 1 3/4 HCS
10	5	WF 3/8	WASHER, FLAT, 3/8, 316 SS
11	3	NN 3/8	NUT, 316 SS, NYLOCK, 3/8"-16
12	1	BS 1/2 X 2-1/4 18-8	BOLT, 18-8 SS, 1/2 X 2 1/4 SHOULDER, 3/8-16 THREAD
13	2	BRB SS-1620-3	BUSHING, BRONZE SLEEVE, SS-1620-3, 1/2 X 5/8 X 3/16
14	2	CCF-1 3/4-14-20	PLUG, 1 3/4 ROUND, PLASTIC, BLACK, .065 WALL
15	1	RUBBER HAND GRIP	GRIP, RUBBER HAND GRIP

AQUA CREEK PRODUCTS, LLC LIMITED FIVE (5) YEAR WARRANTY: **EZ SERIES LIFTS**

(ITEM #'s: F-03EZPLNA, F-333PEZNA, F-194PHBL-NA)

Aqua Creek Products, LLC (a.k.a. Aqua Creek) warrants to the original end user purchaser that products manufactured by Aqua Creek, when properly installed in accordance with assembly and installation instructions, and properly used and maintained, shall be free from defects in material and workmanship for a period of **five (5) years from the date of original purchase**, provided that Aqua Creek receives prompt notice in writing of any defect or failure and satisfactory proof thereof, with the following exception(s):

Exceptions:

- All electrical components, including the linear actuator shall have the following warranty period:
 - Year 1-2: 100% Coverage
 - Year 3: 60% Coverage (Customer is responsible for 40% of replacement cost)
 - Year 4: 50% Coverage (Customer is responsible for 50% of replacement cost)
 - Year 5: 40% Coverage (Customer is responsible for 60% of replacement cost)
- Hydraulic actuators and mesh slings shall have a warranty period of **one (1) year from the date of original purchase**.
- Powder coat finish scratches, scrapes, corrosion, or dents from customers normal use, negligence, or abuse

This warranty specifically excludes reimbursement for labor to remove, repair, or install the product and any shipping charges. These warranties do not cover any damages due to accident, misuse, abuse, negligence or failure to properly maintain any products, or normal wear and tear from day to day operations. In the event that any products are altered, repaired, or improperly installed or improperly used by anyone without the prior written approval by Aqua Creek, all warranties are void. **IMPORTANT: AMOUNT OF WEIGHT PLACED ON LIFT SHALL NOT EXCEED THE RATED LIFTING CAPACITY FOR THE LIFT. NEVER OPERATE THE LIFT UNDER LOAD IN A DRY POOL (WITH NO WATER IN THE POOL).** It is the responsibility of the lift owner to verify the weight of the patron for warranty claim purposes and to ensure that the lift is not overloaded. Non-payment for product to Aqua Creek may void warranty.

To initiate a warranty claim, the owner of an Aqua Creek product must provide the place of purchase, in writing, with a full description of the product, its serial number, the dates of purchase and installation, and the exact nature of the defect. Within thirty (30) days after receipt of a written warranty claim by Aqua Creek, and barring any unforeseen delays, the place of purchase will be notified of Aqua Creek's decision regarding the claim.

If requested by Aqua Creek, any defective product must be returned, freight prepaid by customer, to Aqua Creek's designated factory location or duly appointed distributor for inspection and/or repair. Aqua Creek will, at its option, repair or replace the failed or defective item, and deliver the repaired product or replacement to the customer. All freight charges are the responsibility of the customer. Products returned to Aqua Creek for which Aqua Creek provides replacement under this limited warranty shall become the property of Aqua Creek. A new warranty period shall **NOT** be established for the repaired or replaced products. Such products shall remain under warranty only for the remainder of the original warranty period on the original products purchased.

This written limited warranty constitutes the final, complete and exclusive statement of warranty terms. No person or organization is authorized to make any other specific or implied warranties or representations on behalf of Aqua Creek.

THE WARRANTIES SET FORTH HEREIN ARE IN LIEU OF ALL OTHER WARRANTIES, EXPRESSED OR IMPLIED, WHICH ARE HEREBY DISCLAIMED AND EXCLUDED, INCLUDING WITHOUT LIMITATION ANY WARRANTY OF MERCHANTABILITY OR FITNESS FOR A PARTICULAR PURPOSE OR USE.

THE SOLE AND EXCLUSIVE REMEDIES FOR BREACH OF ANY AND ALL WARRANTIES WITH RESPECT TO THE PRODUCTS SHALL BE LIMITED TO REPAIR OR REPLACEMENT AT AQUA CREEK'S DESIGNATED FACTORY LOCATION, OR DULY APPOINTED DISTRIBUTOR, OR IN PLACE AT AQUA CREEK'S OPTION. IN NO EVENT SHALL AQUA CREEK'S LIABILITY EXCEED THE ENTIRE AMOUNT PAID TO AQUA CREEK BY THE ORIGINAL PURCHASER FOR THE FAILED OR DEFECTIVE PRODUCT.

IN NO EVENT SHALL AQUA CREEK PRODUCTS, LLC BE LIABLE FOR ANY INCIDENTAL, CONSEQUENTIAL, SPECIAL, INDIRECT, PUNITIVE OR EXEMPLARY DAMAGES OR LOST PROFITS FROM ANY BREACH OF THIS LIMITED WARRANTY OR OTHERWISE.

THIS WARRANTY GIVES YOU SPECIFIC LEGAL RIGHTS AND YOU MAY ALSO HAVE OTHER RIGHTS, WHICH MAY VARY FROM STATE TO STATE. SOME STATES DO NOT ALLOW THE EXCLUSION OR LIMITATION OF INCIDENTAL, SPECIAL OR CONSEQUENTIAL DAMAGES, SO SOME OF THE ABOVE LIMITATIONS OR EXCLUSIONS MAY NOT APPLY TO YOU.

Aqua Creek Products, LLC
9889 Garrymore Lane
Missoula, MT 59808
Toll Free: (888) 687-3552
Local/Intnl: (406) 549-0769
www.aquacreek.com



Aqua Creek Products

THE LEADERS IN RECREATION, FITNESS AND ABILITY!



EZ SERIES ACCESSORIES

EZ, Power EZ, Super Power EZ

COVERS

F-EZBL-C	EZ/Power EZ
F-440HBC-B	Super Power EZ
F-440EZHSC	EZ/Power EZ (cover for hardseat option)

ANCHORS

(EZ & Power EZ Only)

F-035EZSM	Surface Mount
F-30600	Wood Deck

SLING ACCESSORIES & OPTIONS

F-032EZSB	Sling Assy w/Bars, Standard Adult Size (38"L x 20"W)
F-036RSS	Sling Assy w/Bars, Rigid Insert & Seat Belt, Standard Adult Size (38"L x 20"W)
F-037EZLS	Sling Assy w/Bars, Extra Long Size (50"L x 20"W)
F-360YLSLB	Sling Assy w/Bars & Seat Belt, Youth Size (34"L x 18"W)
F-037XXLS	Sling Assy w/Bars, 500 lb. Capacity, Extra Long (50"L x 30"W)
F-034EZZ	Sling Only, Standard Adult Size (38"L x 20"W)
F-031EZCH	Chain Set, Standard Replacement, EZ/PEZ/SPEZ
F-03EZHB4P	4-Point Hanger Bar
F-038EZHB	Standard Hanger Bar, Replacement
F-0320HSO-4C	Hard Seat Option w/Chain Assembly, EZ/PEZ/SPEZ

UPGRADE PACKS

F-03PEZAP	Power EZ (sling bars, rigid seat sling w/seat belt, cover, extra battery)
F-190PHBLAP	Super Power EZ (sling bars, rigid seat sling w/seat belt, cover, extra battery)
F-046SCH	Solar Charger - Power EZ

+1-406-549-0769 | 888-687-3552

sales@aquacreek.com | www.aquacreek.com