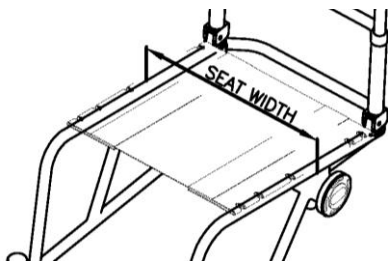


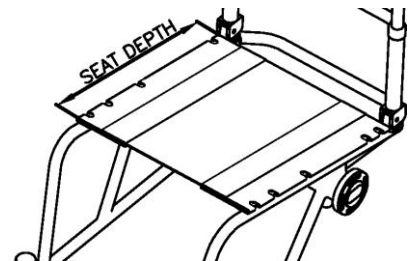
## 1. SEAT WIDTH

Measure from outside of seat tube to the outside of the opposite seat tube.



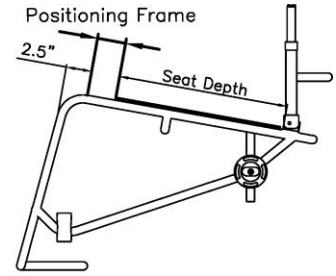
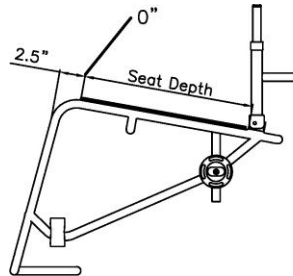
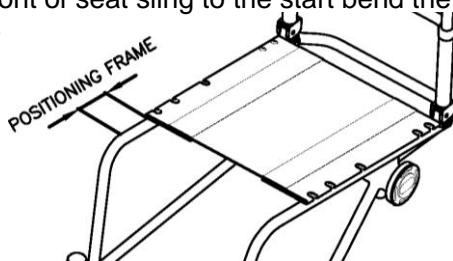
## 2. SEAT DEPTH

Measure from front bottom of backrest tube to the front edge of seat sling.

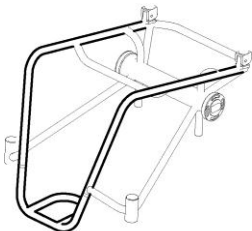


## 2-1. POSITIONING FRAME

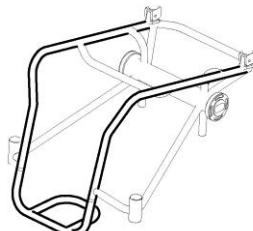
Measure from front of seat sling to the start bend the tube. (STD = 0")



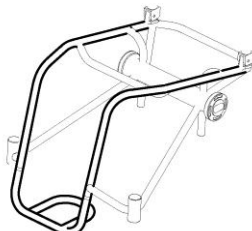
## 2-2. FRAME STYLE



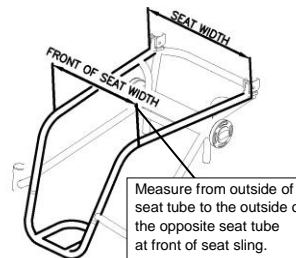
V-Taper



Taper on Bottom

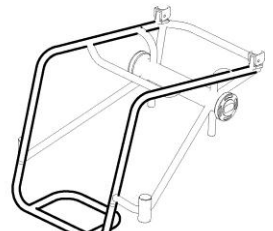


Taper on Top



Taper Seat Sling

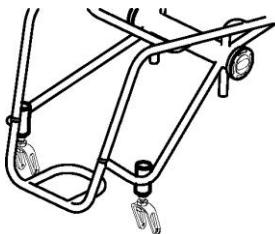
Measure from outside of seat tube to the outside of the opposite seat tube at front of seat sling.



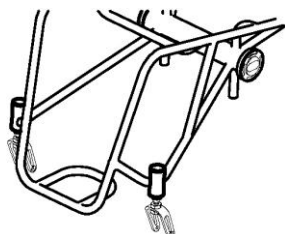
No Taper

\*Measurement must be 2" wider than your footrest width.

## CASTER POSITION

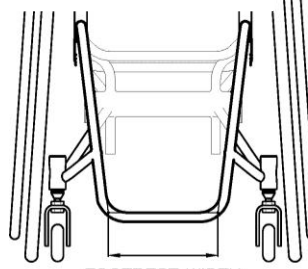


Caster on Inside

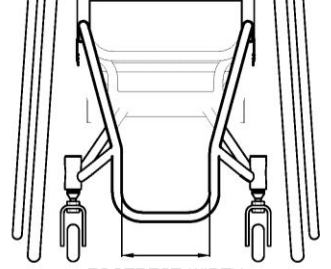


Caster on Outside

## 3. FOOTREST WIDTH



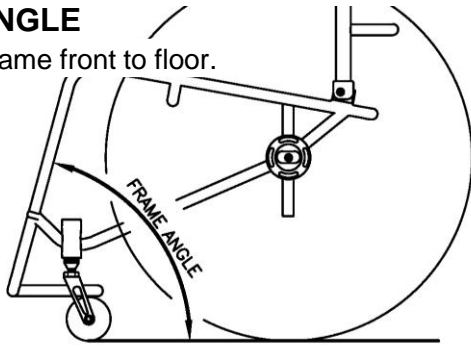
FOOTREST WIDTH



FOOTREST WIDTH

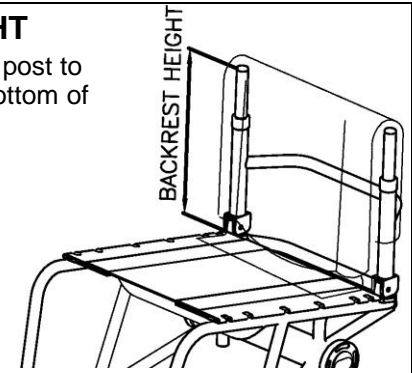
#### 4. FRAME ANGLE

Measure from frame front to floor.



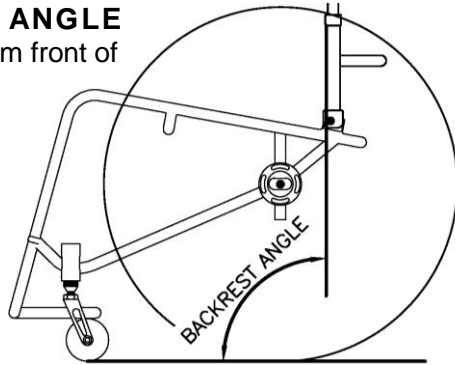
#### 5. BACKREST HEIGHT

Measure from top of back post to top of seat sling at front bottom of backrest tube



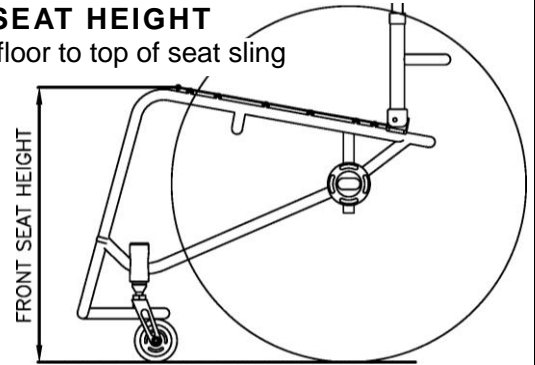
#### 6. BACKREST ANGLE

Measure angle from front of back post to floor.



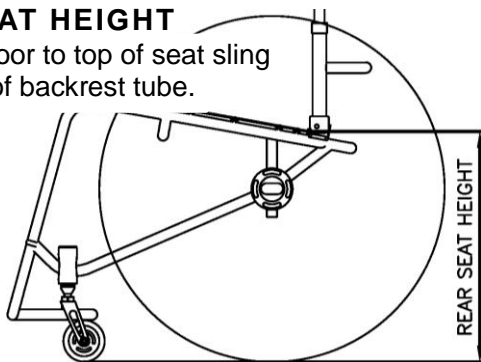
#### 7. FRONT SEAT HEIGHT

Measure from floor to top of seat sling at front edge.



#### 8. REAR SEAT HEIGHT

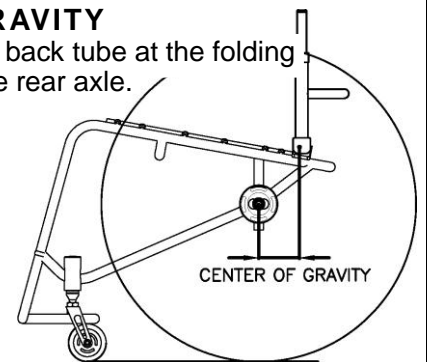
Measure from floor to top of seat sling at front bottom of backrest tube.



#### 9. CENTER OF GRAVITY

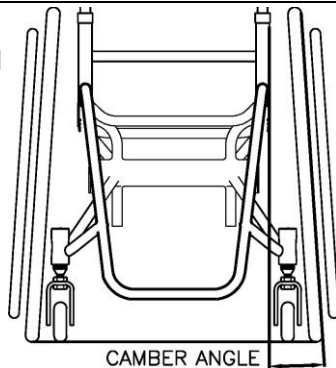
Measure from center of back tube at the folding pivot to the center of the rear axle.

(If welding backrest is selected, Measure from center of back tube at the seat tube to the center of the rear axle.)



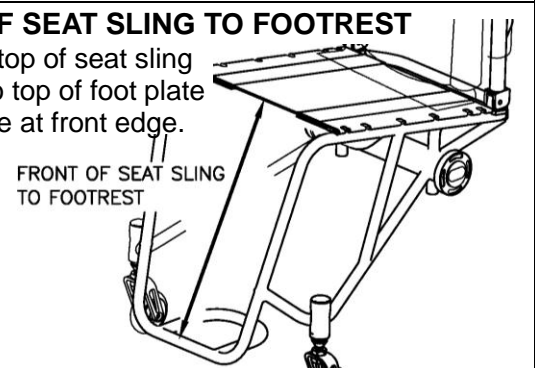
#### 10. CAMBER ANGLE

Measure angle from wheel to vertical at floor.



#### 11. FRONT OF SEAT SLING TO FOOTREST

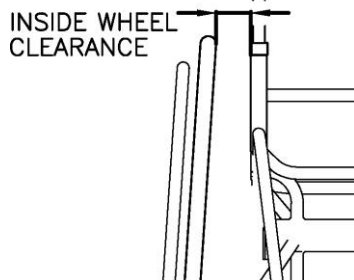
Measure from top of seat sling at front edge to top of foot plate or foot rest tube at front edge.



#### 12. INSIDE WHEEL CLEARANCE

Measure from outside of seat back tube to inside of rear tire.

(If side guards is selected, Measure from outside of side guards to inside of rear tire.)



# COLOURS

Tel: 951-808-9131 FAX: 951-808-9949

Toll Free: 800-892-8998 www.colourswheelchair.com