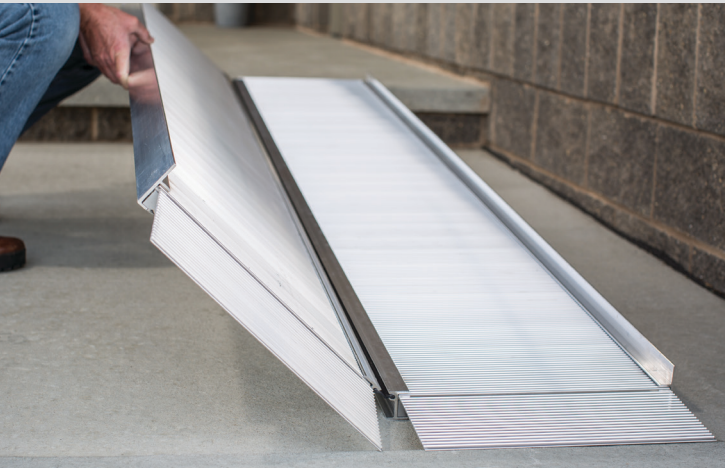


SUITCASE®



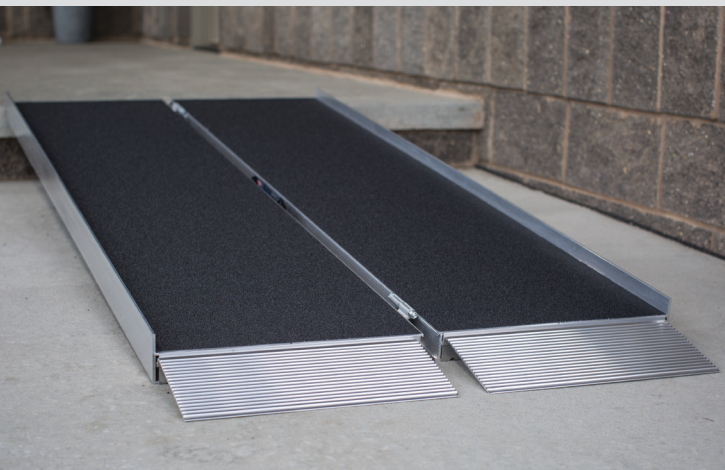
Portable ramps for your every need.

Whether at home or on the go, American-made EZ-ACCESS® SUITCASE® ramps provide durable, dependable solutions for a variety of mobility and accessibility needs. With multiple styles to choose from, you are sure to find a convenient, portable, and easy-to-use ramp perfect for wheelchair and scooter use.



SUITCASE® Singlefold

This portable ramp, with its single-fold design, sets up quickly and can be carried like a suitcase when not in use. Features a full-length hinge for additional strength and stability, and an extruded slip-resistant surface for superior traction. This durable ramp was designed for high-traffic use and is simply the best in the industry. 800 lb. weight capacity.



SUITCASE® Singlefold AS

Can be used as one unit or easily separated into two lightweight sections, making it even more convenient to use, carry, and store. This ultra-strong ramp provides the safety and strength required while remaining light and portable. Features an applied, slip-resistant surface. 800 lb. weight capacity.



SUITCASE® Trifold® AS

Unique 3-fold design allows ultimate portability when longer ramp lengths are needed. The ramp is designed to be used and carried as one unit, or can be quickly separated into two individual sections for easier transport and reduced handling weight. Features an applied, slip-resistant surface. 800 lb. weight capacity.

		Singlefold	Singlefold AS	Trifold AS
2'	Usable Size	2' x 30"	2' x 29-1/2"	–
	Folded Size	2' x 15" x 4"	2' x 15" x 4-1/2"	–
	Weight (lbs.)*	11	6 ea. (2 sections)	–
	Application	Curbs, 1 step	Curbs, 1 step	–
3'	Usable Size	3' x 30"	3' x 29-1/2"	–
	Folded Size	3' x 15" x 4"	3' x 15" x 4-1/2"	–
	Weight (lbs.)*	17	8 ea. (2 sections)	–
	Application	Curbs, 1 step	Curbs, 1 step	–
4'	Usable Size	4' x 30"	4' x 29-1/2"	–
	Folded Size	4' x 15" x 4"	4' x 15" x 4-1/2"	–
	Weight (lbs.)*	23	10 ea. (2 sections)	–
	Application	Curbs, 1-2 steps	Curbs, 1-2 steps	–
5'	Usable Size	5' x 30"	5' x 29-1/2"	5' x 29-1/2"
	Folded Size	5' x 15" x 4"	5' x 15" x 4-1/2"	30-3/4" x 15" x 11-1/2"
	Weight (lbs.)*	29	13 ea. (2 sections)	16 ea. (2 sections)
	Application	Curbs, 1-2 steps, some minivans	Curbs, 1-2 steps, some minivans	Curbs, 1-2 steps, some minivans
6'	Usable Size	6' x 30"	6' x 29-1/2"	6' x 29-1/2"
	Folded Size	6' x 15" x 4"	6' x 15" x 4-1/2"	36-3/4" x 15" x 11-1/2"
	Weight (lbs.)*	34	15 ea. (2 sections)	19 ea. (2 sections)
	Application	1-3 steps, some minivans & SUVs	1-3 steps, some minivans & SUVs	1-3 steps, some minivans & SUVs
7'	Usable Size	7' x 30"	–	7' x 29-1/2"
	Folded Size	7' x 15" x 4"	–	42-3/4" x 15" x 11-1/2"
	Weight (lbs.)*	41	–	22 ea. (2 sections)
	Application	1-3 steps, some minivans & SUVs	–	1-3 steps, some minivans & SUVs
8'	Usable Size	8' x 30"	–	8' x 29-1/2"
	Folded Size	8' x 15" x 4"	–	48-3/4" x 15" x 11-1/2"
	Weight (lbs.)*	47	–	25 ea. (2 sections)
	Application	2-3 steps, some minivans & SUVs	–	2-3 steps, some minivans & SUVs
10'	Usable Size	–	–	10' x 29-1/2"
	Folded Size	–	–	60-3/4" x 15" x 11-1/2"
	Weight (lbs.)*	–	–	30 ea. (2 sections)
	Application	–	–	2-4 steps, some minivans & SUVs

* Weights are approximate and may vary. Consult your equipment's owner guide for proper degree of incline. Never exceed its recommendations.

Options

- **Top Lip Extension (TLE)**

» Our optional TLE increases the reach of EZ-ACCESS aluminum SUITCASE ramps by extending the top lip from 3" to 9", allowing the ramp to clear the rear bumper of most SUVs and vans.



Be Prepared

Like a trusty umbrella or roadside emergency kit, your vehicle should always have a small wheelchair ramp tucked away for emergencies. A 2-ft. SUITCASE Singlefold ramp is the ideal choice and its compact size allows for easy, take-anywhere portability. The lightweight ramp makes a great traveling companion because it fits perfectly in the trunk of a car, under the seat of a van, or is easily checked at the airport.



customerservice@ezaccess.com | 1.800.451.1903 | www.ezaccess.com



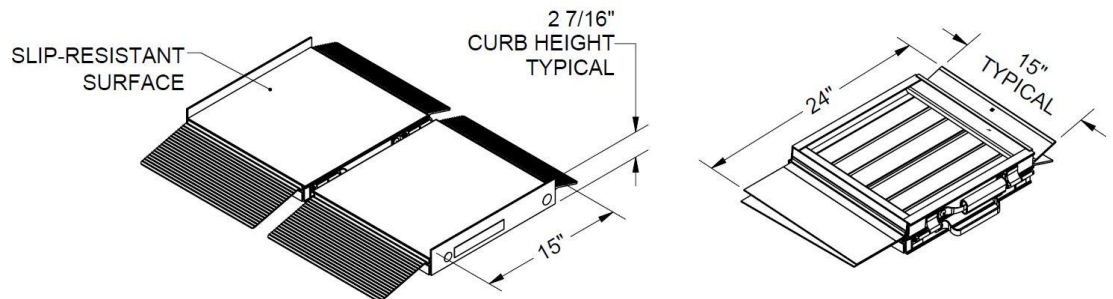
SUITCASE® Singlefold AS Ramp Technical Specifications

MODEL	SUITCASE SFAS02	SUITCASE SFAS03	SUITCASE SFAS04	SUITCASE SFAS05	SUITCASE SFAS06
MADE OF ALUMINUM	✓	✓	✓	✓	✓
SLIP-RESISTANT SURFACE	✓	✓	✓	✓	✓
BUILT-IN CARRYING HANDLE	✓	✓	✓	✓	✓
USABLE SIZE (L x W)	2' x 29.5"	3' x 29.5"	4' x 29.5"	5' x 29.5"	6' x 29.5"
FOLDED SIZE (L x W x H)	24" x 15" x 4.5"	36" x 15" x 4.5"	48" x 15" x 4.5"	60" x 15" x 4.5"	72" x 15" x 4.5"
WEIGHT*	6 lbs./section (x2)	8 lbs./section (x2)	10 lbs./section (x2)	13 lbs./section (x2)	15 lbs./section (x2)
WEIGHT CAPACITY (DO NOT EXCEED)	800 lbs.	800 lbs.	800 lbs.	800 lbs.	800 lbs.
FOR WHEELCHAIRS & SCOOTERS	✓	✓	✓	✓	✓
USAGE GUIDELINES (RISE)**	Curbs, 1 step	Curbs, 1 step	Curbs, 1-2 steps	Curbs, 1-2 steps, some minivans	1-3 steps, some minivans & SUVs
WARRANTY	Lifetime Limited	Lifetime Limited	Lifetime Limited	Lifetime Limited	Lifetime Limited

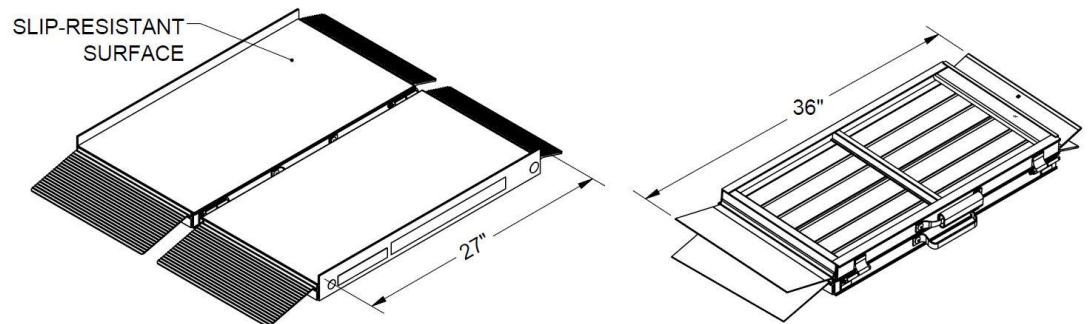
*Weights and dimensions are approximate and subject to change.

** Consult your equipment's owner guide for proper degree of incline. Never exceed its recommendations.

SUITCASE SFAS02



SUITCASE SFAS03



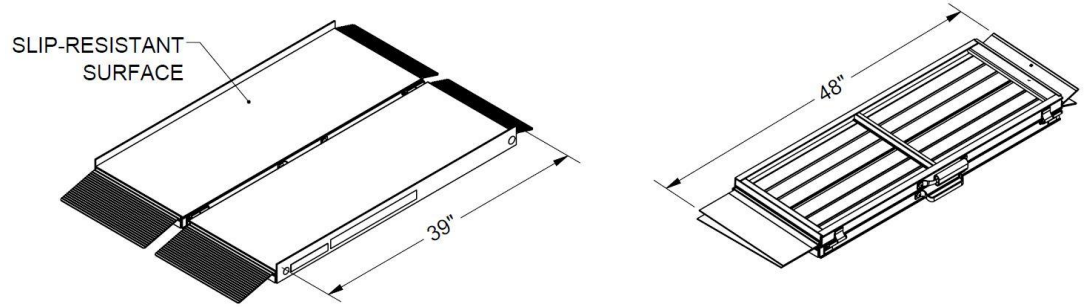
© EZ-ACCESS®, a division of Homecare Products, Inc. All rights reserved.

All text and images contained in this document are proprietary and may not be shared, modified, distributed, reproduced, or reused without the express written permission of EZ-ACCESS.

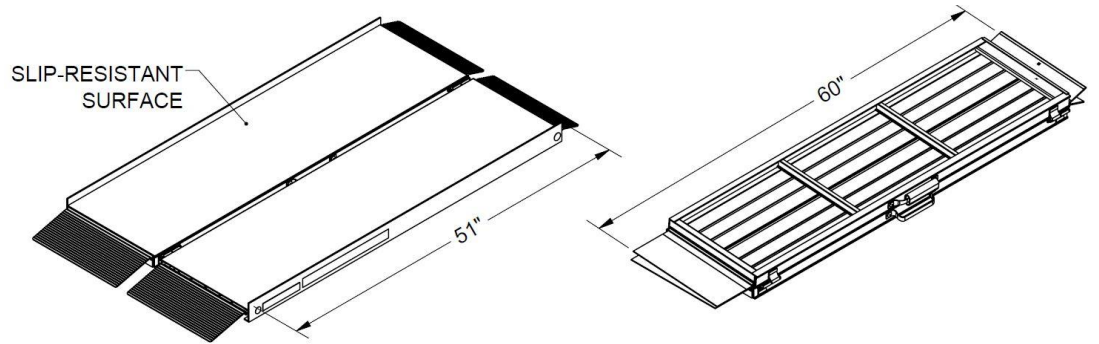


SUITCASE® Singlefold AS Ramp Technical Specifications

SUITCASE SF0AS4



SUITCASE SFAS05



SUITCASE SFAS06

